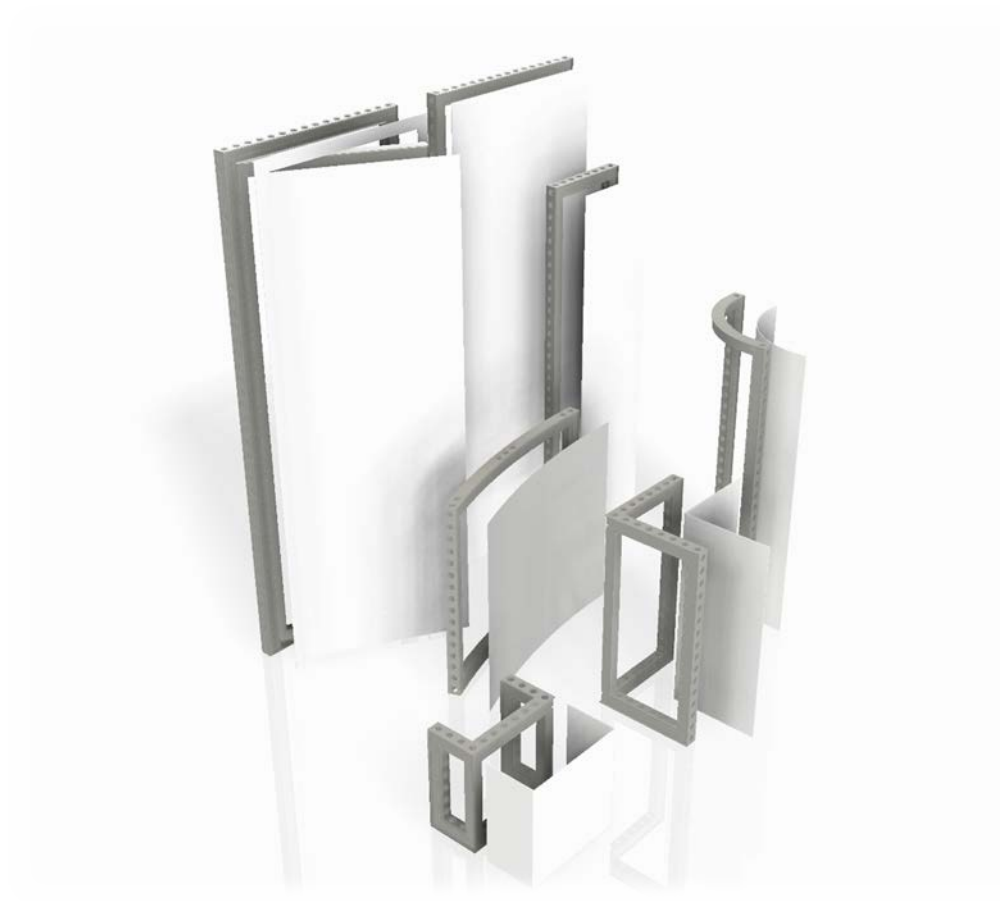


HOW TO DETERMINE PANEL SIZES for b62 frames

b62 STRAIGHT, CURVED, PERFECT L & U, PIVOT DOOR

GENERAL INFO & CROSS REFERENCE CHARTS



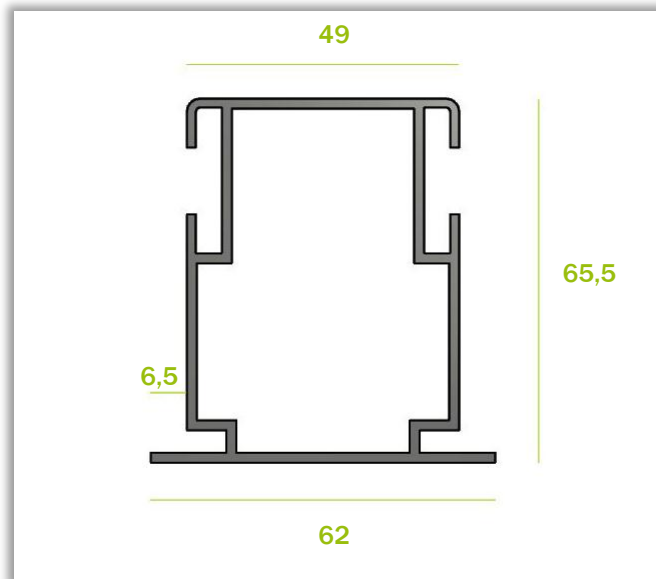
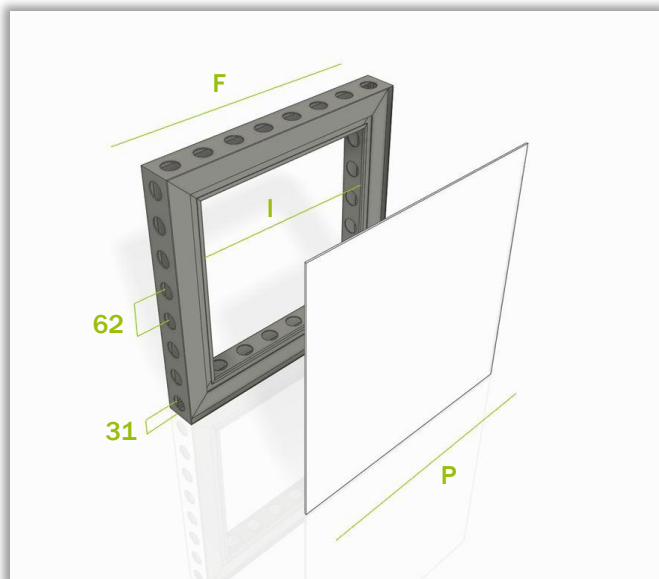
HOW TO DETERMINE PANEL SIZES for b62 & DMK STRAIGHT FRAMES

GENERAL INFO & CROSS REFERENCE CHART



HOW TO DETERMINE PANEL SIZES for b62 & DMK STRAIGHT FRAMES

GENERAL INFO & CROSS REFERENCE CHART



Mount panel with velcro.

Ideal panel thickness is 3mm/0,12inch, so it doesn't become wider than 62mm/2,44inch, which is the width of the frame.

Thickness of velcro (hook + loop) is $\pm 3\text{mm}/0,12\text{inch}$.

Panel size is 6mm/0,24inch smaller than frame size.

To be sawn up at room temperature ($18^\circ - 25^\circ$).

Frame size: **F**

Panel size: **P**

Inside frame dimension: **I**

See Cross reference chart



HOW TO DETERMINE PANEL SIZES for b62 & DMK STRAIGHT FRAMES

GENERAL INFO & CROSS REFERENCE CHART

FRAME DIMENSION (F)				INFILL PANEL DIMENSION (P)			INSIDE FRAME DIMENSION (I)		
<i>mm</i>	<i>inch</i>	<i>fractional</i>	<i># of holes</i>	<i>mm</i>	<i>inch</i>	<i>fractional</i>	<i>mm</i>	<i>inch</i>	<i>fractional</i>
434	17,09	17 1/16	7	428	16,85	16 7/8	303	11,93	11 15/16
496	19,53	19 1/2	8	490	19,29	19 5/16	365	14,37	14 3/8
744	29,29	29 5/16	12	738	29,06	29 1/16	613	24,13	24 1/8
992	39,06	39 1/16	16	986	38,82	38 13/16	861	33,90	33 7/8
1426	56,14	56 1/8	23	1420	55,91	55 7/8	1295	50,98	51
1488	58,58	58 5/8	24	1482	58,35	58 3/8	1357	53,43	53 7/16
1984	78,11	78 1/8	32	1978	77,87	77 7/8	1853	72,95	72 15/16
2418	95,20	95 3/16	39	2412	94,96	94 15/16	2287	90,04	90 1/16
2480	97,64	97 5/8	40	2474	97,40	97 3/8	2349	92,48	92 1/2
2976	117,17	117 3/16	48	2970	116,93	116 15/16	2845	112,01	112



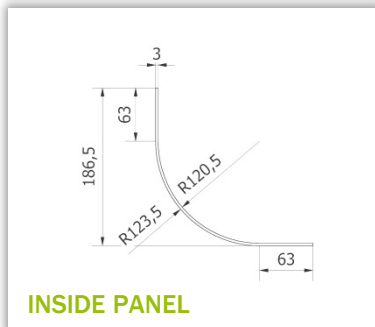
HOW TO DETERMINE PANEL SIZES for b62 CURVED FRAMES

GENERAL INFO & CROSS REFERENCE CHART

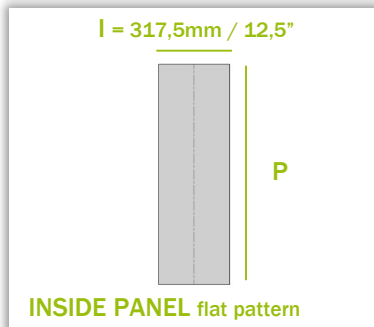


HOW TO DETERMINE PANEL SIZES for b62 CURVED FRAMES 688 0248 +++++

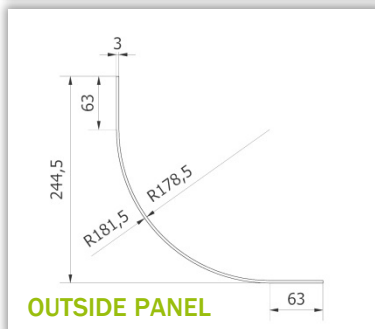
GENERAL INFO & CROSS REFERENCE CHART



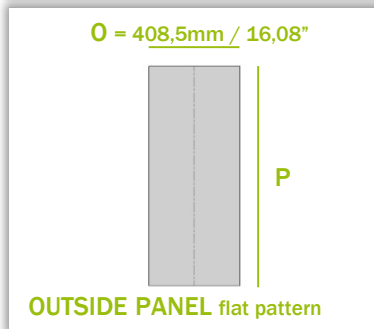
INSIDE PANEL



INSIDE PANEL flat pattern



OUTSIDE PANEL



OUTSIDE PANEL flat pattern

Mount panel with velcro.

Ideal panel thickness is 3mm/0,12inch, so it doesn't become wider than 62mm/2,44inch, which is the width of the frame.

Thickness of velcro (hook + loop) is $\pm 3\text{mm}/0,12\text{inch}$.

Panel size is 8mm/0,31inch smaller than frame size.

To be sawn up at room temperature ($18^\circ - 25^\circ$).

Panel size:

INSIDE PANEL **I**: 317,5mm/12,5" x frame size **F** - 8mm/0,31"

OUTSIDE PANEL **O**: 408,5mm/16,08" x frame size **F** - 8mm/0,31"

See Cross reference chart

Do not use plexi, due to large coefficient of expansion ... or use larger tolerances

Sizes are indicative and must be approved by the customer.



HOW TO DETERMINE PANEL SIZES for b62 CURVED FRAMES 688 0248 +++++

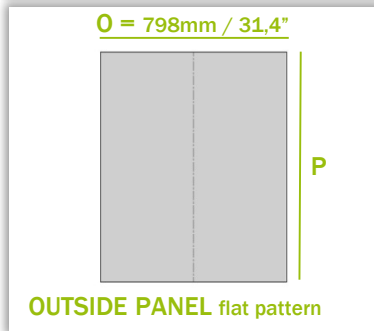
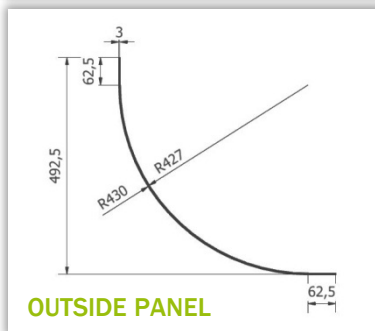
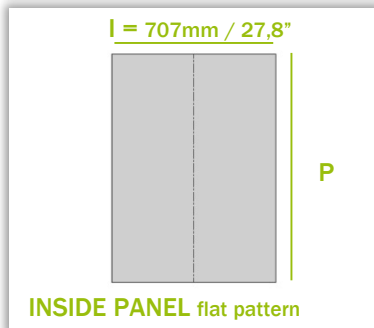
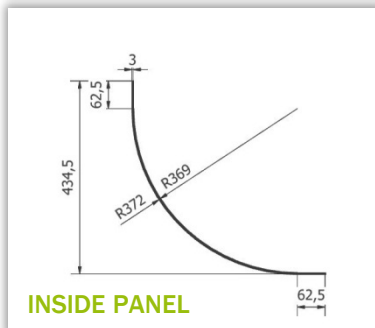
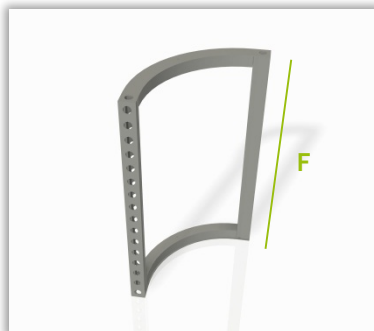
GENERAL INFO & CROSS REFERENCE CHART

FRAME DIMENSION (F)				INSIDE PANEL DIMENSION (P x I)			OUTSIDE PANEL DIMENSION (P * O)		
mm	inch	fractional	# of holes	mm	inch	fractional	mm	inch	fractional
434	17,09	17 1/16	7	426 x 317,5	16,77 x 12,50	16 3/4 x 12 1/2	426 x 408,5	16,77 x 16,08	16 3/4 x 16 1/8
496	19,53	19 1/2	8	488 x 317,5	19,21 x 12,50	19 3/16 x 12 1/2	488 x 408,5	19,21 x 16,08	19 3/16 x 16 1/8
744	29,29	29 5/16	12	736 x 317,5	28,98 x 12,50	29 x 12 1/2	736 x 408,5	28,98 x 12,50	29 x 16 1/8
992	39,06	39 1/16	16	984 x 317,5	38,74 x 12,50	38 3/4 x 12 1/2	984 x 408,5	38,74 x 16,08	38 3/4 x 16 1/8
1426	56,14	56 1/8	23	1418 x 317,5	55,83 x 12,50	55 7/8 x 12 1/2	1418 x 408,5	55,83 x 16,08	55 7/8 x 16 1/8
1488	58,58	58 5/8	24	1480 x 317,5	58,27 x 12,50	58 1/4 x 12 1/2	1480 x 408,5	58,27 x 16,08	58 1/4 x 16 1/8
1984	78,11	78 1/8	32	1976 x 317,5	77,80 x 12,50	77 3/4 x 12 1/2	1976 x 408,5	77,80 x 16,08	77 3/4 x 16 1/8
2418	95,20	95 3/16	39	2410 x 317,5	94,88 x 12,50	94 7/8 x 12 1/12	2410 x 408,5	94,88 x 16,08	94 7/8 x 16 1/8
2480	97,64	97 5/8	40	2472 x 317,5	97,32 x 12,50	97 3/8 x 12 1/2	2472 x 408,5	97,32 x 16,08	97 3/8 x 16 1/8
2976	117,17	117 3/16	48	2968 x 317,5	116,85 x 12,50	116 7/8 x 12 1/2	2968 x 408,5	116,85 x 16,08	116 7/8 x 16 1/8



HOW TO DETERMINE PANEL SIZES for b62 CURVED FRAMES 688 0496 +++++

GENERAL INFO & CROSS REFERENCE CHART



Mount panel with velcro.

Ideal panel thickness is 3mm/0,12inch, so it doesn't become wider than 62mm/2,44inch, which is the width of the frame.

Thickness of velcro (hook + loop) is $\pm 3\text{mm}/0,12\text{inch}$.

Panel size is 8mm/0,31inch smaller than frame size.

To be sawn up at room temperature ($18^\circ - 25^\circ$).

Panel size:

INSIDE PANEL I: 707mm/27,8" x frame size **F** - 8mm/0,31"

OUTSIDE PANEL O: 798mm/31,4" x frame size **F** - 8mm/0,31"

See Cross reference chart

Do not use plexi, due to large coefficient of expansion ... or use larger tolerances

Sizes are indicative and must be approved by the customer.



HOW TO DETERMINE PANEL SIZES for b62 CURVED FRAMES 688 0496++++

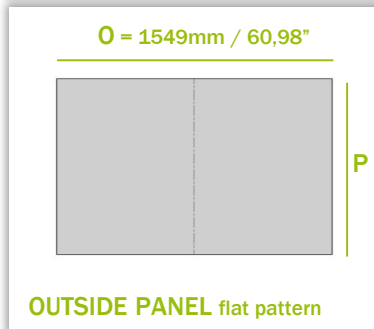
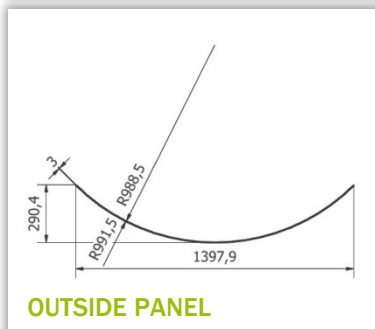
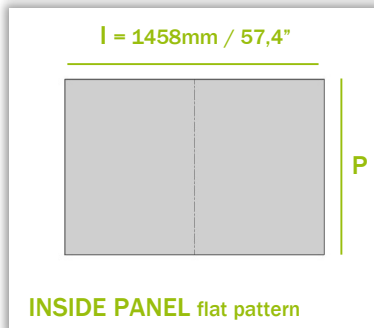
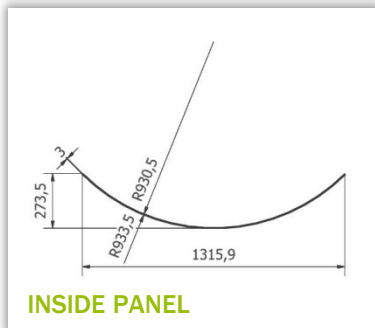
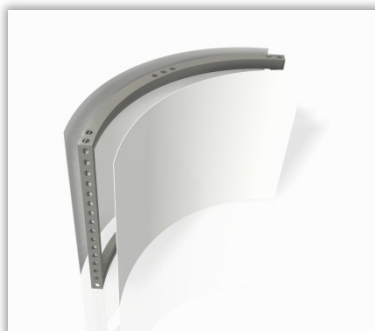
GENERAL INFO & CROSS REFERENCE CHART

FRAME DIMENSION (F)				INSIDE PANEL DIMENSION (P x I)			OUTSIDE PANEL DIMENSION (P * O)		
mm	inch	fractional	# of holes	mm	inch	fractional	mm	inch	fractional
434	17,09	17 1/16	7	426 x 707	16,77 x 27,8	16 3/4 x 27 7/8	426 x 798	16,77 x 31,4	16 3/4 x 31 3/8
496	19,53	19 1/2	8	488 x 707	19,21 x 27,8	19 3/16 x 27 7/8	488 x 798	19,21 x 31,4	19 3/16 x 31 3/8
744	29,29	29 5/16	12	736 x 707	28,98 x 27,8	29 x 27 7/8	736 x 798	28,98 x 31,4	29 x 31 3/8
992	39,06	39 1/16	16	984 x 707	38,74 x 27,8	38 3/4 x 27 7/8	984 x 798	38,74 x 31,4	38 3/4 x 31 3/8
1426	56,14	56 1/8	23	1418 x 707	55,83 x 27,8	55 7/8 x 27 7/8	1418 x 798	55,83 x 31,4	55 7/8 x 31 3/8
1488	58,58	58 5/8	24	1480 x 707	58,27 x 27,8	58 1/4 x 27 7/8	1480 x 798	58,27 x 31,4	58 1/4 x 31 3/8
1984	78,11	78 1/8	32	1976 x 707	77,80 x 27,8	77 3/4 x 27 7/8	1976 x 798	77,80 x 31,4	77 3/4 x 31 3/8
2418	95,20	95 3/16	39	2410 x 707	94,88 x 27,8	94 7/8 x 27 7/8	2410 x 798	94,88 x 31,4	94 7/8 x 31 3/8
2480	97,64	97 5/8	40	2472 x 707	97,32 x 27,8	97 3/8 x 27 7/8	2472 x 798	97,32 x 31,4	97 3/8 x 16 1/8
2976	117,17	117 3/16	48	2968 x 707	116,85 x 27,8	116 7/8 x 27 7/8	2968 x 798	116,85 x 31,4	116 7/8 x 31 3/8



HOW TO DETERMINE PANEL SIZES for b62 CURVED FRAMES 688 0992 +++++

GENERAL INFO & CROSS REFERENCE CHART



Mount panel with velcro.

Ideal panel thickness is 3mm/0,12inch, so it doesn't become wider than 62mm/2,44inch, which is the width of the frame.

Thickness of velcro (hook + loop) is $\pm 3\text{mm}/0,12\text{inch}$.

Panel size is 6mm/0,24inch smaller than frame size.

To be sawn up at room temperature ($18^\circ - 25^\circ$).

Panel size:

INSIDE PANEL I: 1458mm/57,4" x frame size **F** - 6mm/0,24"

OUTSIDE PANEL O: 1549mm/60,98" x frame size **F** - 6mm/0,24"

See Cross reference chart

Do not use plexi, due to large coefficient of expansion ... or use larger tolerances

Sizes are indicative and must be approved by the customer.



HOW TO DETERMINE PANEL SIZES for b62 CURVED FRAMES 688 0992 +++++

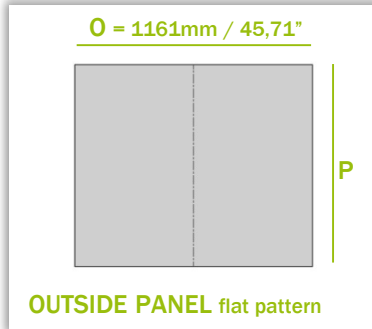
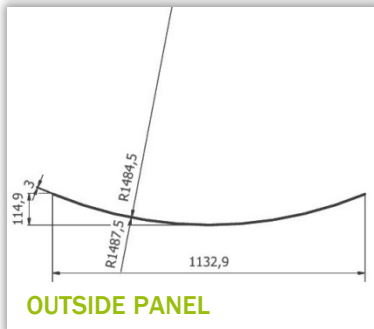
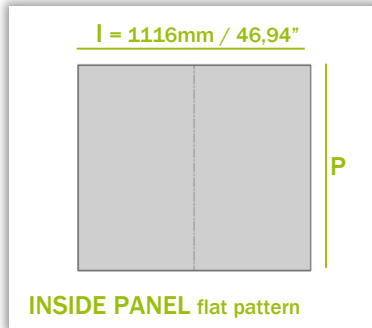
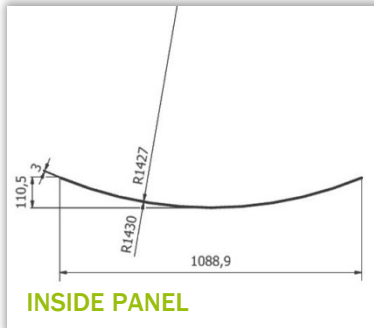
GENERAL INFO & CROSS REFERENCE CHART

FRAME DIMENSION (F)				INSIDE PANEL DIMENSION (P x I)			OUTSIDE PANEL DIMENSION (P * O)		
mm	inch	fractional	# of holes	mm	inch	fractional	mm	inch	fractional
434	17,09	17 1/16	7	428 x 1458	16,85 x 57,4	16 7/8 x 57 3/8	428 x 1549	16,85 x 60,98	16 7/8 x 61
496	19,53	19 1/2	8	490 x 1458	19,29 x 57,4	19 1/4 x 57 3/8	490 x 1549	19,29 x 60,98	19 1/4 x 61
744	29,29	29 5/16	12	738 x 1458	29,06 x 57,4	29 x 57 3/8	738 x 1549	29,06 x 60,98	29 x 61
992	39,06	39 1/16	16	986 x 1458	38,82 x 57,4	38 7/8 x 57 3/8	986 x 1549	38,82 x 60,98	38 7/8 x 61
1426	56,14	56 1/8	23	1420 x 1458	55,9 x 57,4	55 7/8 x 57 3/8	1420 x 1549	55,9 x 60,98	55 7/8 x 61
1488	58,58	58 5/8	24	1482 x 1458	58,35 x 57,4	58 3/8 x 57 3/8	1482 x 1549	58,35 x 60,98	58 3/8 x 61
1984	78,11	78 1/8	32	1978 x 1458	77,87 x 57,4	77 7/8 x 57 3/8	1978 x 1549	77,87 x 60,98	77 7/8 x 61
2418	95,20	95 3/16	39	2412 x 1458	94,96 x 57,4	95 x 57 3/8	2412 x 1549	94,96 x 60,98	95 x 61
2480	97,64	97 5/8	40	2474 x 1458	97,4 x 27,8	97 3/8 x 57 3/8	2474 x 1549	97,4 x 60,98	97 3/8 x 61
2976	117,17	117 3/16	48	2970 x 1458	116,93 x 57,4	116 7/8 x 57 3/8	2970 x 1549	116,93 x 60,98	116 7/8 x 61



HOW TO DETERMINE PANEL SIZES for b62 CURVED FRAMES 688 1488 +++++

GENERAL INFO & CROSS REFERENCE CHART



Mount panel with velcro.

Ideal panel thickness is 3mm/0,12inch, so it doesn't become wider than 62mm/2,44inch, which is the width of the frame.

Thickness of velcro (hook + loop) is $\pm 3\text{mm}/0,12\text{inch}$.

Panel size is 6mm/0,24inch smaller than frame size.

To be sawn up at room temperature ($18^\circ - 25^\circ$).

Panelsize:

INSIDE PANEL I: 1116mm/43,94" x frame size **F** - 6mm/0,24"

OUTSIDE PANEL O: 1161mm/45,71" x frame size **F** - 6mm/0,24"

See Cross reference chart

Do not use plexi, due to large coefficient of expansion ... or use larger tolerances

Sizes are indicative and must be approved by the customer.



HOW TO DETERMINE PANEL SIZES for b62 CURVED FRAMES 688 1488 +++++

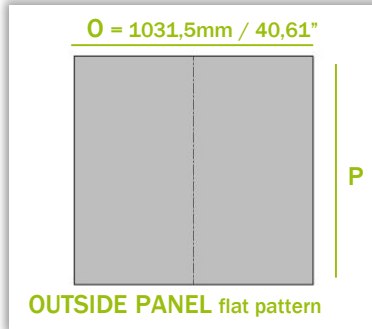
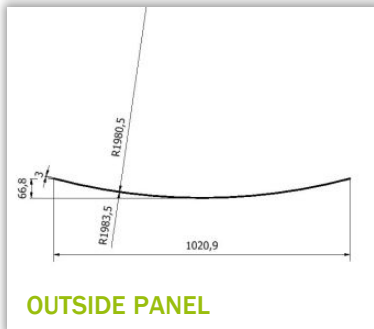
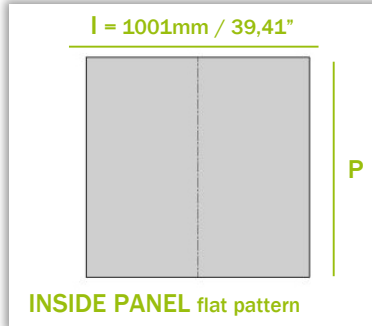
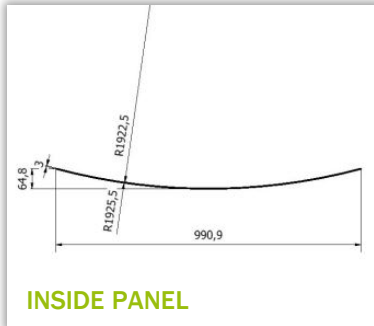
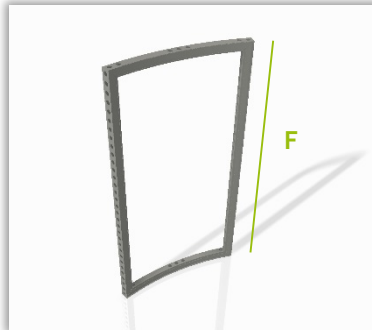
GENERAL INFO & CROSS REFERENCE CHART

FRAME DIMENSION (F)				INSIDE PANEL DIMENSION (P x I)			OUTSIDE PANEL DIMENSION (P * O)		
mm	inch	fractional	# of holes	mm	inch	fractional	mm	inch	fractional
434	17,09	17 1/16	7	428 x 1116	16,85 x 43,94	16 7/8 x 43 7/8	428 x 1161	16,85 x 45,71	16 7/8 x 45 3/4
496	19,53	19 1/2	8	490 x 1116	19,29 x 43,94	19 1/4 x 43 7/8	490 x 1161	19,29 x 45,71	19 1/4 x 45 3/4
744	29,29	29 5/16	12	738 x 1116	29,06 x 43,94	29 x 43 7/8	738 x 1161	29,06 x 45,71	29 x 45 3/4
992	39,06	39 1/16	16	986 x 1116	38,82 x 43,94	38 7/8 x 43 7/8	986 x 1161	38,82 x 45,71	38 7/8 x 45 3/4
1426	56,14	56 1/8	23	1420 x 1116	55,9 x 43,94	55 7/8 x 43 7/8	1420 x 1161	55,9 x 45,71	55 7/8 x 45 3/4
1488	58,58	58 5/8	24	1482 x 1116	58,35 x 43,94	58 3/8 x 43 7/8	1482 x 1161	58,35 x 45,71	58 3/8 x 45 3/4
1984	78,11	78 1/8	32	1978 x 1116	77,87 x 43,94	77 7/8 x 43 7/8	1978 x 1161	77,87 x 45,71	77 7/8 x 45 3/4
2418	95,20	95 3/16	39	2412 x 1116	94,96 x 43,94	95 x 43 7/8	2412 x 1161	94,96 x 45,71	95 x 45 3/4
2480	97,64	97 5/8	40	2474 x 1116	97,4 x 43,94	97 3/8 x 43 7/8	2474 x 1161	97,4 x 45,71	97 3/8 x 45 3/4
2976	117,17	117 3/16	48	2970 x 1116	116,93 x 43,94	116 7/8 x 43 7/8	2970 x 1161	116,93 x 45,71	116 7/8 x 45 3/4



HOW TO DETERMINE PANEL SIZES for b62 CURVED FRAMES 688 1984 +++++

GENERAL INFO & CROSS REFERENCE CHART



Mount panel with velcro.

Ideal panel thickness is 3mm/0,12inch, so it doesn't become wider than 62mm/2,44inch, which is the width of the frame.

Thickness of velcro (hook + loop) is $\pm 3\text{mm}/0,12\text{inch}$.

Panel size is 6mm/0,24inch smaller than frame size.

To be sawn up at room temperature ($18^\circ - 25^\circ$).

Panelsize:

INSIDE PANEL I: 1001mm/39,41" x frame size **F** - 6mm/0,24"

OUTSIDE PANEL O: 1031,5mm/40,61" x frame size **F** - 6mm/0,24"

See Cross reference chart

Do not use plexi, due to large coefficient of expansion ... or use larger tolerances

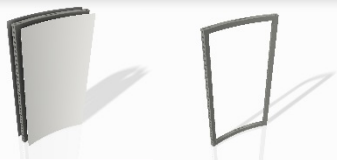
Sizes are indicative and must be approved by the customer.



HOW TO DETERMINE PANEL SIZES for b62 CURVED FRAMES 688 1984 +++++

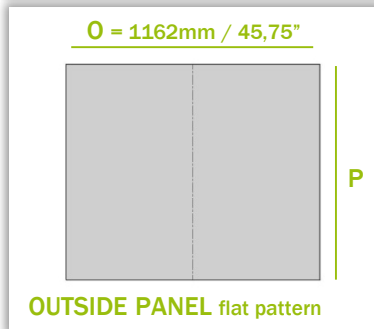
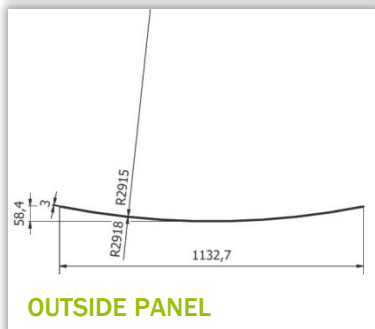
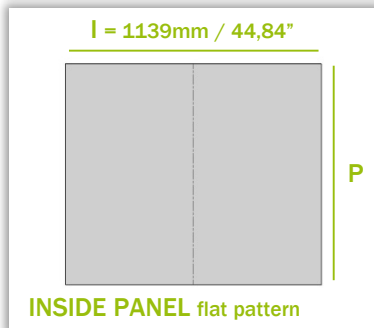
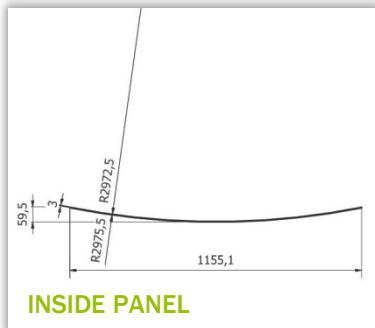
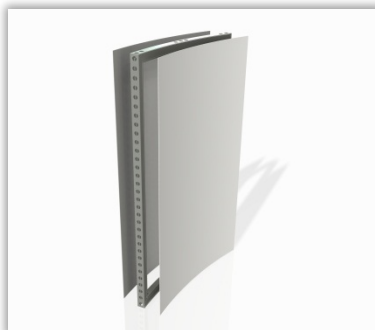
GENERAL INFO & CROSS REFERENCE CHART

FRAME DIMENSION (F)				INSIDE PANEL DIMENSION (P x I)			OUTSIDE PANEL DIMENSION (P * O)		
mm	inch	fractional	# of holes	mm	inch	fractional	mm	inch	fractional
434	17,09	17 1/16	7	428 x 1001	16,85 x 39,41	16 7/8 x 39 3/8	428 x 1031,5	16,85 x 40,61	16 7/8 x 40 5/8
496	19,53	19 1/2	8	490 x 1001	19,29 x 39,41	19 1/4 x 39 3/8	490 x 1031,5	19,29 x 40,61	19 1/4 x 40 5/8
744	29,29	29 5/16	12	738 x 1001	29,06 x 39,41	29 x 39 3/8	738 x 1031,5	29,06 x 40,61	29 x 40 5/8
992	39,06	39 1/16	16	986 x 1001	38,82 x 39,41	38 7/8 x 39 3/8	986 x 1031,5	38,82 x 40,61	38 7/8 x 40 5/8
1426	56,14	56 1/8	23	1420 x 1001	55,9 x 39,41	55 7/8 x 39 3/8	1420 x 1031,5	55,9 x 40,61	55 7/8 x 40 5/8
1488	58,58	58 5/8	24	1482 x 1001	58,35 x 39,41	58 3/8 x 39 3/8	1482 x 1031,5	58,35 x 40,61	58 3/8 x 40 5/8
1984	78,11	78 1/8	32	1978 x 1001	77,87 x 39,41	77 7/8 x 39 3/8	1978 x 1031,5	77,87 x 40,61	77 7/8 x 40 5/8
2418	95,20	95 3/16	39	2412 x 1001	94,96 x 39,41	95 x 39 3/8	2412 x 1031,5	94,96 x 40,61	95 x 40 5/8
2480	97,64	97 5/8	40	2474 x 1001	97,4 x 39,41	97 3/8 x 39 3/8	2474 x 1031,5	97,4 x 40,61	97 3/8 x 40 5/8
2976	117,17	117 3/16	48	2970 x 1001	116,93 x 39,41	116 7/8 x 39 3/8	2970 x 1031,5	116,93 x 40,61	116 7/8 x 40 5/8



HOW TO DETERMINE PANEL SIZES for b62 CURVED FRAMES 688 2976 +++++

GENERAL INFO & CROSS REFERENCE CHART



Mount panel with velcro.

Ideal panel thickness is 3mm/0,12inch, so it doesn't become wider than 62mm/2,44inch, which is the width of the frame.

Thickness of velcro (hook + loop) is $\pm 3\text{mm}/0,12\text{inch}$.

Panel size is 6mm/0,24inch smaller than frame size.

To be sawn up at room temperature ($18^\circ - 25^\circ$).

Panel size:

INSIDE PANEL I: 1139mm/44,84" x frame size **F** - 6mm/0,24"

OUTSIDE PANEL O: 1162mm/45,75" x frame size **F** - 6mm/0,24"

See Cross reference chart

Do not use plexi, due to large coefficient of expansion ... or use larger tolerances

Sizes are indicative and must be approved by the customer.



HOW TO DETERMINE PANEL SIZES for b62 CURVED FRAMES 688 2976 ++++

GENERAL INFO & CROSS REFERENCE CHART

FRAME DIMENSION (F)				INSIDE PANEL DIMENSION (P x I)			OUTSIDE PANEL DIMENSION (P * O)		
mm	inch	fractional	# of holes	mm	inch	fractional	mm	inch	fractional
434	17,09	17 1/16	7	428 x 1139	16,85 x 44,84	16 7/8 x 44 7/8	428 x 1162	16,85 x 45,75	16 7/8 x 45 3/4
496	19,53	19 1/2	8	490 x 1139	19,29 x 44,84	19 1/4 x 44 7/8	490 x 1162	19,29 x 45,75	19 1/4 x 45 3/4
744	29,29	29 5/16	12	738 x 1139	29,06 x 44,84	29 x 44 7/8	738 x 1162	29,06 x 45,75	29 x 45 3/4
992	39,06	39 1/16	16	986 x 1139	38,82 x 44,84	38 7/8 x 44 7/8	986 x 1162	38,82 x 45,75	38 7/8 x 45 3/4
1426	56,14	56 1/8	23	1420 x 1139	55,9 x 44,84	55 7/8 x 44 7/8	1420 x 1162	55,9 x 45,75	55 7/8 x 45 3/4
1488	58,58	58 5/8	24	1482 x 1139	58,35 x 44,84	58 3/8 x 44 7/8	1482 x 1162	58,35 x 45,75	58 3/8 x 45 3/4
1984	78,11	78 1/8	32	1978 x 1139	77,87 x 44,84	77 7/8 x 44 7/8	1978 x 1162	77,87 x 45,75	77 7/8 x 45 3/4
2418	95,20	95 3/16	39	2412 x 1139	94,96 x 44,84	95 x 44 7/8	2412 x 1162	94,96 x 45,75	95 x 45 3/4
2480	97,64	97 5/8	40	2474 x 1139	97,4 x 44,84	97 3/8 x 44 7/8	2474 x 1162	97,4 x 45,75	97 3/8 x 45 3/4
2976	117,17	117 3/16	48	2970 x 1139	116,93 x 44,84	116 7/8 x 44 7/8	2970 x 1162	116,93 x 45,75	116 7/8 x 45 3/4



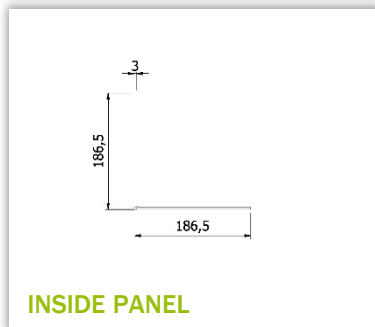
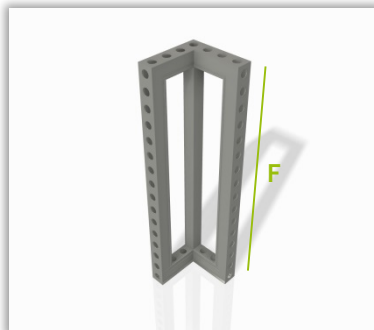
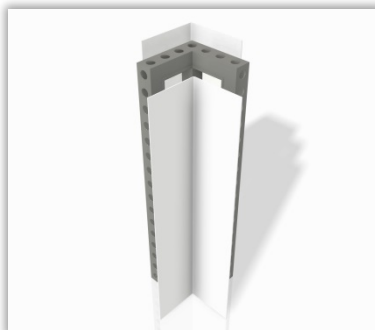
HOW TO DETERMINE PANEL SIZES for b62 PERFECT CORNER & PERFECT 'U' FRAMES

GENERAL INFO & CROSS REFERENCE CHART

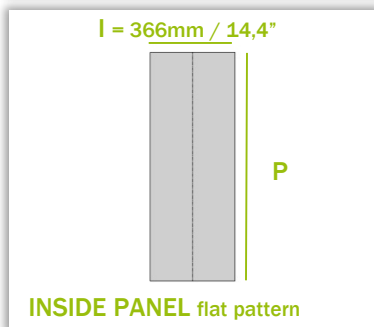


HOW TO DETERMINE PANEL SIZES for b62 PERFECT CORNER 690 0248 ++++

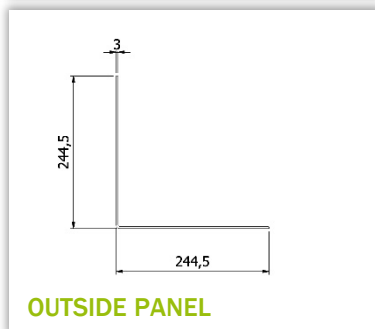
GENERAL INFO & CROSS REFERENCE CHART



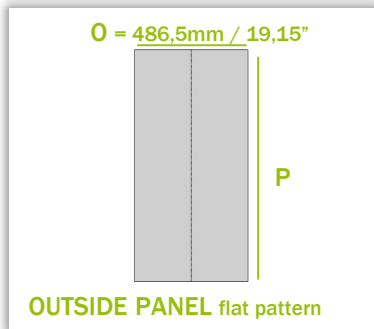
INSIDE PANEL



INSIDE PANEL flat pattern



OUTSIDE PANEL



OUTSIDE PANEL flat pattern

The following information and dimensions apply for aluminum sandwich panels of 3mm thickness.
(standard material for perfect corner infills)
On the fold line - on the invisible side - a milling must be provided to make a 90° fold.

Other material is possible. (different sizes, different way of finishing ... to be determined by the customer)

Mount panel with velcro.

Thickness of velcro (hook + loop) is ±3mm/0,12inch.

Panel size is 6mm/0,24inch smaller than frame size.

To be sawn up at room temperature (18° - 25°).

Panel size (unfolded):

INSIDE PANEL I: 366mm/14,4" x **P** (frame size **F** - 6mm/0,24")

OUTSIDE PANEL O: 486,5mm/19,15" x **P** (frame size **F** - 6mm/0,24")

See Cross reference chart

Sizes are indicative and must be approved by the customer.



HOW TO DETERMINE PANEL SIZES for b62 PERFECT CORNER 690 0248 ++++

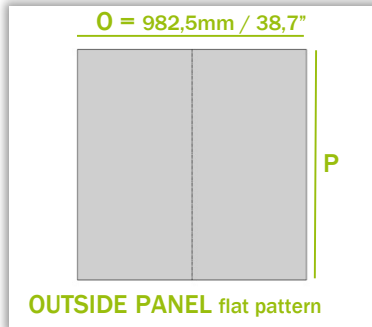
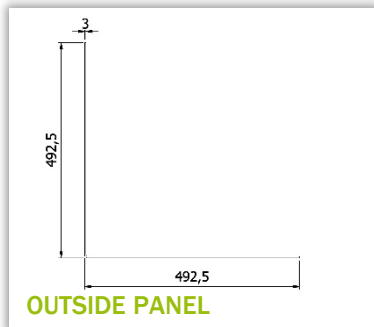
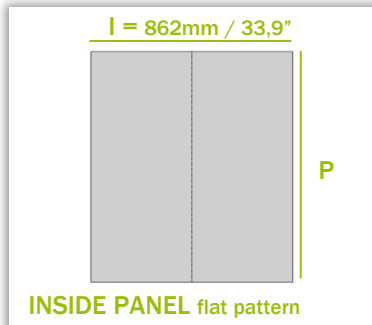
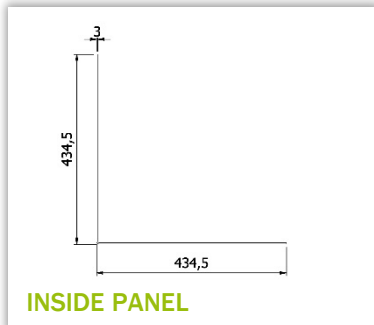
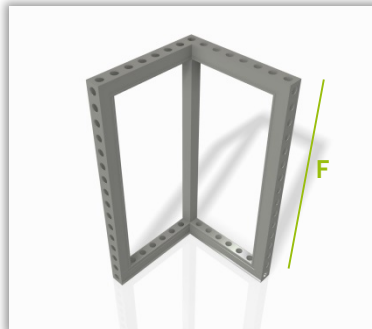
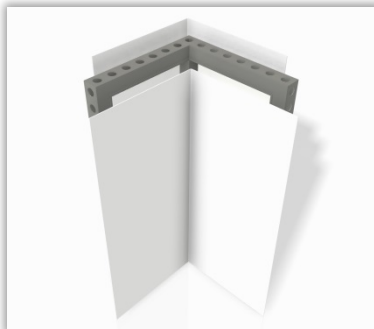
GENERAL INFO & CROSS REFERENCE CHART

FRAME DIMENSION (F)				INSIDE PANEL DIMENSION (P x I) (unfolded)			OUTSIDE PANEL DIMENSION (P * O) (unfolded)		
mm	inch	fractional	# of holes	mm	inch	fractional	mm	inch	fractional
434	17,09	17 1/16	7	428x 366	16,85 x 14,4	16 7/8 x 14 3/8	428 x 486,5	16,85 x 19,15	16 7/8 x 19 1/8
496	19,53	19 1/2	8	490 x 366	19,29 x 14,4	19 1/4 x 14 3/8	490 x 486,5	19,29 x 19,15	19 1/4 x 19 1/8
744	29,29	29 5/16	12	7368x 366	29,06 x 14,4	29 x 14 3/8	738 x 486,5	29,06 x 19,15	29 x 19 1/8
992	39,06	39 1/16	16	986 x 366	38,82 x 14,4	38 7/8 x 14 3/8	986 x 486,5	38,82 x 19,15	38 7/8 x 19 1/8
1426	56,14	56 1/8	23	1420 x 366	55,9x 14,4	55 7/8 x 14 3/8	1420 x 486,5	55,89x 19,15	55 7/8 x 19 1/8
1488	58,58	58 5/8	24	1482 x 366	58,35 x 14,4	58 3/8 x 14 3/8	1482 x 486,5	58,35 x 19,15	58 3/8 x 19 1/8
1984	78,11	78 1/8	32	1978 x 366	77,87 x 14,4	77 7/8 x 14 3/8	1978 x 486,5	77,87 x 19,15	77 7/8 x 19 1/8
2418	95,20	95 3/16	39	2412 x 366	94,96x 14,4	95 x 14 3/8	2412 x 486,5	94,96 x 19,15	95 x 19 1/8
2480	97,64	97 5/8	40	2474 x 365	97,4 x 14,4	97 3/8 x 14 3/8	2474 x 486,5	97,4 x 19,15	97 3/8 x 19 1/8
2976	117,17	117 3/16	48	2970 x 366	116,93 x 14,4	116 7/8 x 14 3/8	2970 x 486,5	116,93 x 19,15	116 7/8 x 19 1/8



HOW TO DETERMINE PANEL SIZES for b62 PERFECT CORNER 690 0496++++

GENERAL INFO & CROSS REFERENCE CHART



The following information and dimensions apply for aluminum sandwich panels of 3mm thickness. (standard material for perfect corner infills)
On the fold line - on the invisible side - a milling must be provided to make a 90° fold.

Other material is possible. (different sizes, different way of finishing ... to be determined by the customer)

Mount panel with velcro

Thickness of velcro (hook + loop) is ±3mm/0,12inch.

Panel size is 6mm/0,24inch smaller than frame size.

To be sawn up at room temperature (18° - 25°).

Panel size (unfolded):

INSIDE PANEL **I**: 862mm/23,9" x **P** (frame size **F** - 6mm/0,24")

OUTSIDE PANEL **O**: 982,5mm/38,7" x **P** (frame size **F** - 6mm/0,24")

See Cross reference chart

Sizes are indicative and must be approved by the customer.



HOW TO DETERMINE PANEL SIZES for b62 PERFECT CORNER 690 0496 ++++

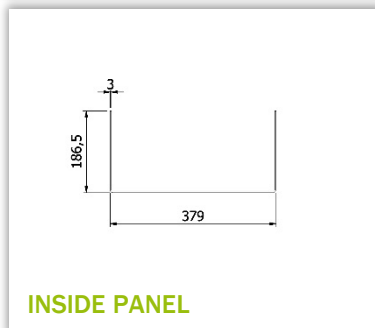
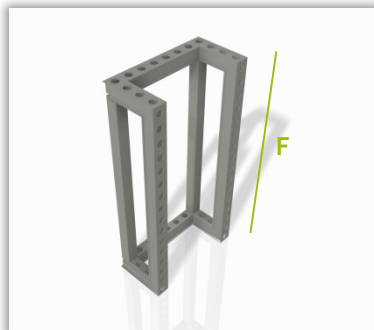
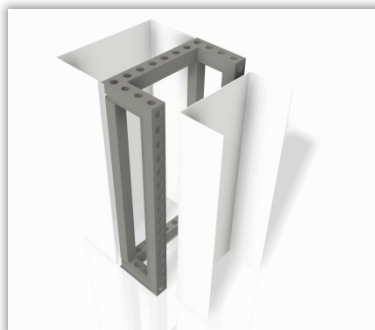
GENERAL INFO & CROSS REFERENCE CHART

FRAME DIMENSION (F)				INSIDE PANEL DIMENSION (P x I) (unfolded)			OUTSIDE PANEL DIMENSION (P * O) (unfolded)		
mm	inch	fractional	# of holes	mm	inch	fractional	mm	inch	fractional
434	17,09	17 1/16	7	428x 862	16,85 x 33,9	16 7/8 x 33 7/8	428 x 982,5	16,85 x 38,7	16 7/8 x 38 5/8
496	19,53	19 1/2	8	490 x 862	19,29 x 33,9	19 1/4 x 33 7/8	490 x 982,5	19,29 x 38,7	19 1/4 x 38 5/8
744	29,29	29 5/16	12	7368x 861	29,06 x 33,9	29 x 33 7/8	738 x 982,5	29,06 x 38,7	29 x 38 5/8
992	39,06	39 1/16	16	986 x 862	38,82 x 33,9	38 7/8 x 33 7/8	986 x 982,5	38,82 x 38,7	38 7/8 x 38 5/8
1426	56,14	56 1/8	23	1420 x 862	55,9x 33,9	55 7/8 x 33 7/8	1420 x 982,5	55,89x 38,7	55 7/8 x 38 5/8
1488	58,58	58 5/8	24	1482 x 862	58,35 x 33,9	58 3/8 x 33 7/8	1482 x 982,5	58,35 x 38,7	58 3/8 x 38 5/8
1984	78,11	78 1/8	32	1978 x 862	77,87 x 33,9	77 7/8 x 33 7/8	1978 x 982,5	77,87 x 38,7	77 7/8 x 38 5/8
2418	95,20	95 3/16	39	2412 x 862	94,96x 33,9	95 x 33 7/8	2412 x 982,5	94,96 x 38,7	95 x 38 5/8
2480	97,64	97 5/8	40	2474 x 862	97,4 x 33,9	97 3/8 x 33 7/8	2474 x 982,5	97,4 x 38,7	97 3/8 x 38 5/8
2976	117,17	117 3/16	48	2970 x 862	116,93 x 33,9	116 7/8 x 33 7/8	2970 x 982,5	116,93 x 38,7	116 7/8 x 38 5/8

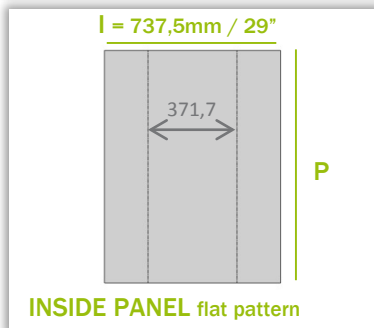


HOW TO DETERMINE PANEL SIZES for b62 PERFECT "U" 691 0248 ++++

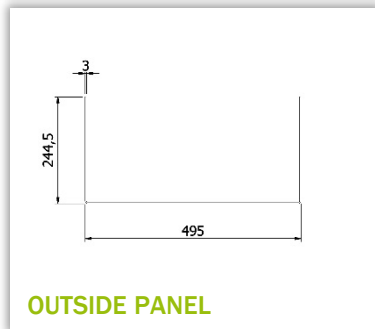
GENERAL INFO & CROSS REFERENCE CHART



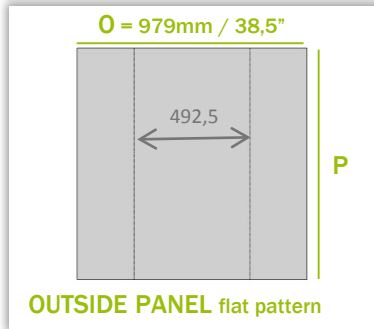
INSIDE PANEL



INSIDE PANEL flat pattern



OUTSIDE PANEL



OUTSIDE PANEL flat pattern

The following information and dimensions apply for aluminum sandwich panels of 3mm thickness.
(standard material for perfect corner infills)
On the fold line - on the invisible side - a milling must be provided to make a 90° fold.

Other material is possible. (different sizes, different way of finishing ... to be determined by the customer)

Mount panel with velcro

Thickness of velcro (hook + loop) is ±3mm/0,12inch.

Panel size is 6mm/0,24inch smaller than frame size.

To be sawn up at room temperature (18° - 25°).

Panel size (unfolded):

INSIDE PANEL **I**: 737,5mm/29" x **P** (frame size **F** - 6mm/0,24")

OUTSIDE PANEL **O**: 979mm/38,5" x **P** (frame size **F** - 6mm/0,24")

See Cross reference chart

Sizes are indicative and must be approved by the customer.



HOW TO DETERMINE PANEL SIZES for b62 PERFECT "U" 691 0248 +++++

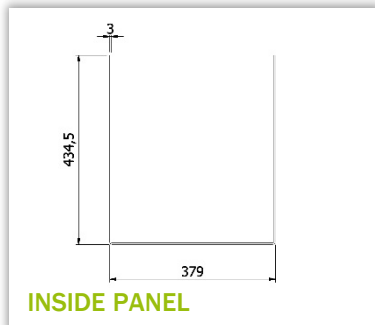
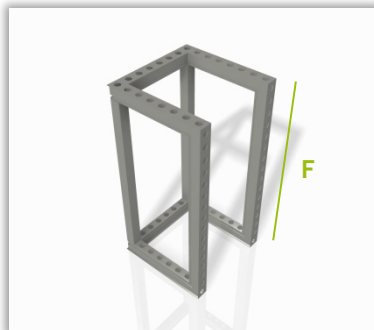
GENERAL INFO & CROSS REFERENCE CHART

FRAME DIMENSION (F)				INSIDE PANEL DIMENSION (P x I) (unfolded)			OUTSIDE PANEL DIMENSION (P * O) (unfolded)		
mm	inch	fractional	# of holes	mm	inch	fractional	mm	inch	fractional
434	17,09	17 1/16	7	428 x 737,5	16,85 x 29	16 7/8 x 29	428 x 979	16,85 x 38,5	16 7/8 x 38 1/2
496	19,53	19 1/2	8	490 x 737,5	19,29 x 29	19 1/4 x 29	490 x 979	19,29 x 38,5	19 1/4 x 38 1/2
744	29,29	29 5/16	12	738 x 737,5	29,06 x 29	29 x 29	738 x 979	29,06 x 38,5	29 x 38 1/2
992	39,06	39 1/16	16	986 x 746	38,82 x 29	38 7/8 x 29	986 x 979	38,82 x 38,5	38 7/8 x 38 1/2
1426	56,14	56 1/8	23	1420 x 737,5	55,9 x 29	55 7/8 x 29	1420 x 979	55,9 x 38,5	55 7/8 x 38 1/2
1488	58,58	58 5/8	24	1482 x 737,5	58,35 x 29	58 3/8 x 29	1482 x 979	58,35 x 38,5	58 3/8 x 38 1/2
1984	78,11	78 1/8	32	1978 x 737,5	77,87 x 29	77 7/8 x 29	1978 x 979	77,87 x 38,5	77 7/8 x 38 1/2
2418	95,20	95 3/16	39	2412 x 737,5	94,96 x 29	95 x 29	2412 x 979	94,96 x 38,5	95 x 38 1/2
2480	97,64	97 5/8	40	2474 x 737,5	97,4 x 29	97 3/8 x 29	2474 x 979	97,4 x 38,5	97 3/8 x 38 1/2
2976	117,17	117 3/16	48	2970 x 737,5	116,93 x 29	116 7/8 x 29	2970 x 979	116,93 x 38,5	116 7/8 x 38 1/2

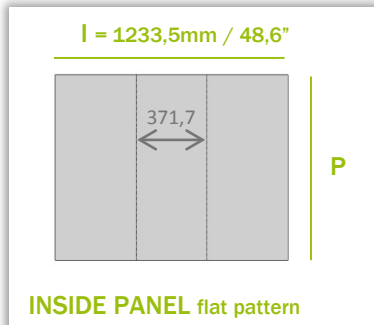


HOW TO DETERMINE PANEL SIZES for b62 PERFECT "U" 691 0496 ++++

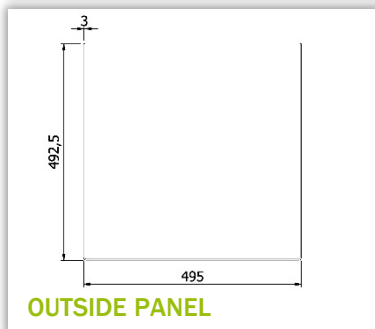
GENERAL INFO & CROSS REFERENCE CHART



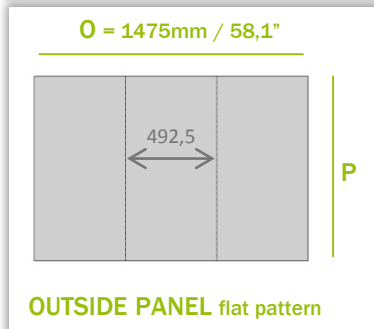
INSIDE PANEL



INSIDE PANEL flat pattern



OUTSIDE PANEL



OUTSIDE PANEL flat pattern

The following information and dimensions apply for aluminum sandwich panels of 3mm thickness. (standard material for perfect corner infills)
On the fold line - on the invisible side - a milling must be provided to make a 90° fold.

Other material is possible. (different sizes, different way of finishing ... to be determined by the customer)

Mount panel with velcro.

Thickness of velcro (hook + loop) is ±3mm/0,12inch.

Panel size is 6mm/0,24inch smaller than frame size.

To be sawn up at room temperature (18° - 25°).

Panelsize (unfolded)

INSIDE PANEL I: 1243mm/48,6" x **P** (frame size **F** - 6mm/0,24")

OUTSIDE PANEL O: 1475mm/58,1" x **P** (frame size **F** - 6mm/0,24")

See Cross reference chart

Sizes are indicative and must be approved by the customer.



HOW TO DETERMINE PANEL SIZES for b62 PERFECT "U" 691 0496 ++++

GENERAL INFO & CROSS REFERENCE CHART

FRAME DIMENSION (F)				INSIDE PANEL DIMENSION (P x I)			OUTSIDE PANEL DIMENSION (P * O)		
mm	inch	fractional	# of holes	mm	inch	fractional	mm	inch	fractional
434	17,09	17 1/16	7	428 x 1233,5	16,85 x 48,6	16 7/8 x 48 5/8	428 x 1475	16,85 x 58,1	16 7/8 x 58 1/8
496	19,53	19 1/2	8	490 x 1233,5	19,29 x 48,6	19 1/4 x 48 5/8	490 x 1475	19,29 x 58,1	19 1/4 x 58 1/8
744	29,29	29 5/16	12	738 x 1233,5	29,06 x 48,6	29 x 48 5/8	738 x 1475	29,06 x 58,1	29 x 58 1/8
992	39,06	39 1/16	16	986 x 1233,5	38,82 x 48,6	38 7/8 x 48 5/8	986 x 1475	38,82 x 58,1	38 7/8 x 58 1/8
1426	56,14	56 1/8	23	1420 x 1233,5	55,9 x 48,6	55 7/8 x 48 5/8	1420 x 1475	55,9 x 58,1	55 7/8 x 58 1/8
1488	58,58	58 5/8	24	1482 x 1233,5	58,35 x 48,6	58 3/8 x 48 5/8	1482 x 1475	58,35 x 58,1	58 3/8 x 58 1/8
1984	78,11	78 1/8	32	1978 x 1233,5	77,87 x 48,6	77 7/8 x 48 5/8	1978 x 1475	77,87 x 58,1	77 7/8 x 58 1/8
2418	95,20	95 3/16	39	2412 x 1233,5	94,96 x 48,6	95 x 48 5/8	2412 x 1475	94,96 x 58,1	95 x 58 1/8
2480	97,64	97 5/8	40	2474 x 1233,5	97,4 x 48,6	97 3/8 x 48 5/8	2474 x 1475	97,4 x 58,1	97 3/8 x 58 1/8
2976	117,17	117 3/16	48	2970 x 1233,5	116,93 x 48,6	116 7/8 x 48 5/8	2970 x 1475	116,93 x 58,1	116 7/8 x 58 1/8



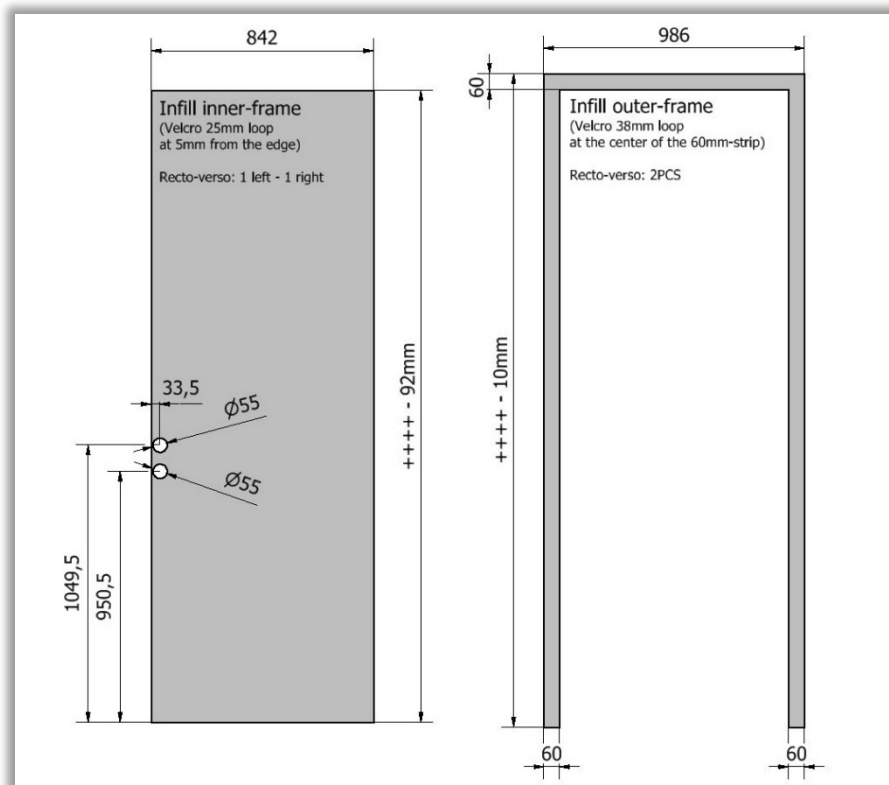
HOW TO DETERMINE PANEL SIZES for 617 0992 ++++ P

b62 PIVOT DOOR d62 [0992 x ++++MM] ECO/GREY/RAL

GENERAL INFO & LINK TO DXF-files

Panel dimensions

“Hard panel” door infills are attached by means of velcro, as used with standard frames, see [leaflet](#)



DXF files door infills :

[Infills 617 0992 ++++ P](#)

Do not use plexi, due to large coefficient of expansion ... or use larger tolerances.

Sizes are indicative and must be approved by the customer.

