

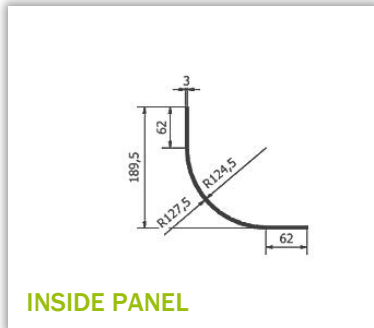
HOW TO DETERMINE PANEL SIZES for DMK CURVED FRAMES

GENERAL INFO & CROSS REFERENCE CHART

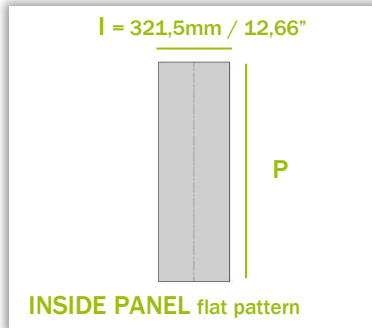


HOW TO DETERMINE PANEL SIZES for DMK CURVED FRAMES 888 0248 ++++

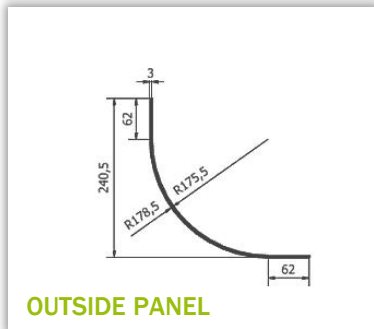
GENERAL INFO & CROSS REFERENCE CHART



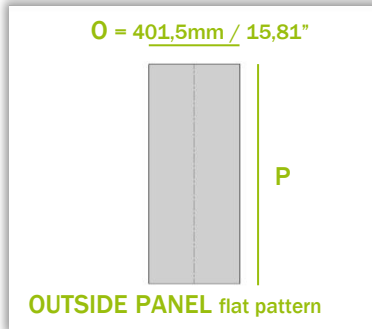
INSIDE PANEL



INSIDE PANEL flat pattern



OUTSIDE PANEL



OUTSIDE PANEL flat pattern

Mount panel with velcro.

Ideal panel thickness is 3mm/0,12inch, so it doesn't become wider than 55mm/2,17inch, which is the width of the frame.

Thickness of velcro (hook + loop) is $\pm 3\text{mm}/0,12\text{inch}$.

Panel size is 8mm/0,31inch smaller than frame size.

To be sawn up at room temperature ($18^\circ - 25^\circ$).

Panel size:

INSIDE PANEL **I**: 321,5mm/12,66" x frame size **F** - 9mm/0,31"

OUTSIDE PANEL **O**: 401,5mm/15,81" x frame size **F** - 9mm/0,31"

See Cross reference chart

Do not use plexi, due to large coefficient of expansion ... or use larger tolerances

Sizes are indicative and must be approved by the customer.



HOW TO DETERMINE PANEL SIZES for DMK CURVED FRAMES 888 0248 ++++

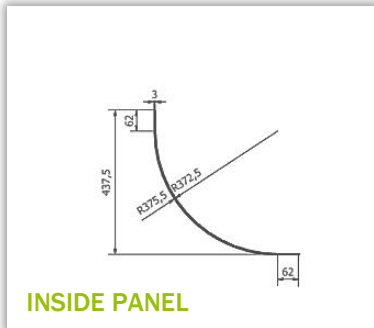
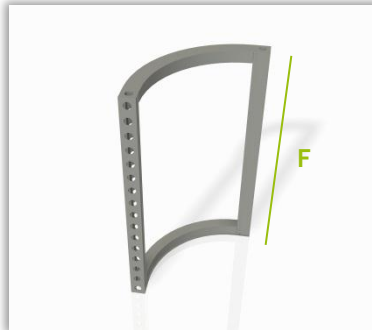
GENERAL INFO & CROSS REFERENCE CHART

FRAME DIMENSION (F)				INSIDE PANEL DIMENSION (P x I)			OUTSIDE PANEL DIMENSION (P * O)		
mm	inch	fractional	# of holes	mm	inch	fractional	mm	inch	fractional
434	17,09	17 1/16	7	425 x 321,5	16,73 x 12,66	16 3/4 x 12 5/8	425 x 401,5	16,73 x 15,81	16 3/4 x 15 3/4
496	19,53	19 1/2	8	487 x 321,5	19,17 x 12,66	19 3/16 x 12 5/8	487 x 401,5	19,17 x 15,81	19 3/16 x 15 3/4
744	29,29	29 5/16	12	735 x 321,5	28,94 x 12,66	28 15/16 x 12 5/8	735 x 401,5	28,98 x 15,81	28 15/16 x 15 3/4
992	39,06	39 1/16	16	983 x 321,5	38,7 x 12,66	38 11/16 x 12 5/8	983 x 401,5	38,7 x 15,81	38 11/16 x 15 3/4
1426	56,14	56 1/8	23	1417 x 321,5	55,79 x 12,66	55 3/4 x 12 5/8	1417 x 401,5	55,79 x 15,81	55 3/4 x 15 3/4
1488	58,58	58 5/8	24	1479 x 321,5	58,23 x 12,66	58 1/4 x 12 5/8	1479 x 401,5	58,23 x 15,81	58 1/4 x 15 3/4
1984	78,11	78 1/8	32	1975 x 321,5	77,76 x 12,66	77 3/4 x 12 5/8	1975 x 401,5	77,76 x 15,81	77 3/4 x 15 3/4
2418	95,20	95 3/16	39	2409 x 321,5	94,84 x 12,66	94 13/16 x 12 5/8	2409 x 401,5	94,84 x 15,81	94 13/16 x 15 3/4
2480	97,64	97 5/8	40	2471 x 321,5	97,28 x 12,66	97 1/4 x 12 5/8	2471 x 401,5	97,28 x 15,81	97 1/4 x 15 3/4
2976	117,17	117 3/16	48	2967 x 321,5	116,81 x 12,66	116 13/16 x 12 5/8	2967 x 401,5	116,81 x 15,81	116 13/16 x 15 3/4

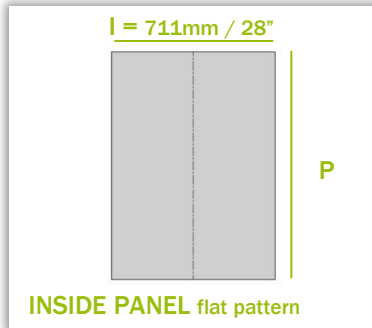


HOW TO DETERMINE PANEL SIZES for DMK CURVED FRAMES 888 0496 ++++

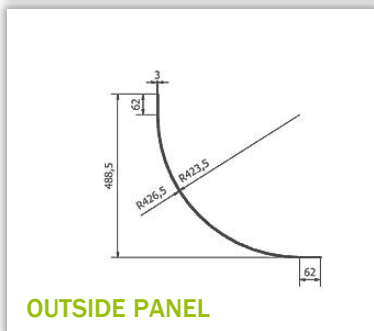
GENERAL INFO & CROSS REFERENCE CHART



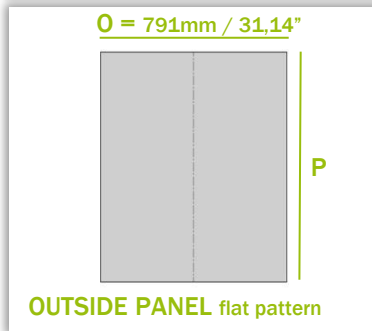
INSIDE PANEL



INSIDE PANEL flat pattern



OUTSIDE PANEL



OUTSIDE PANEL flat pattern

Mount panel with velcro.

Ideal panel thickness is 3mm/0,12inch, so it doesn't become wider than 55mm/2,17inch, which is the width of the frame.

Thickness of velcro (hook + loop) is $\pm 3\text{mm}/0,12\text{inch}$.

Panel size is 9mm/0,31inch smaller than frame size.

To be sawn up at room temperature ($18^\circ - 25^\circ$).

Panel size:

INSIDE PANEL **I**: 711mm/28" x frame size **F** - 9mm/0,31"

OUTSIDE PANEL **O**: 791mm/31,14" x frame size **F** - 9mm/0,31"

See Cross reference chart

Do not use plexi, due to large coefficient of expansion ... or use larger tolerances

Sizes are indicative and must be approved by the customer.



HOW TO DETERMINE PANEL SIZES for DMK CURVED FRAMES 888 0496++++

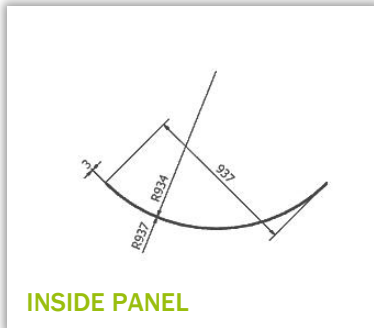
GENERAL INFO & CROSS REFERENCE CHART

FRAME DIMENSION (F)				INSIDE PANEL DIMENSION (P x I)			OUTSIDE PANEL DIMENSION (P * O)		
mm	inch	fractional	# of holes	mm	inch	fractional	mm	inch	fractional
434	17,09	17 1/16	7	425 x 711	16,73 x 28	16 3/4 x 28	425 x 791	16,73 x 31,14	16 3/4 x 31 1/8
496	19,53	19 1/2	8	487 x 711	19,17 x 28	19 3/16 x 28	487 x 791	19,17 x 31,14	19 3/16 x 31 1/8
744	29,29	29 5/16	12	735 x 711	28,94 x 28	28 15/16 x 28	735 x 791	28,94 x 31,14	28 15/16 x 31 1/8
992	39,06	39 1/16	16	983 x 711	38,7 x 28	38 11/16 x 28	983 x 791	38,7 x 31,14	38 11/16 x 31 1/8
1426	56,14	56 1/8	23	1417 x 711	55,79 x 28	55 3/4 x 28	1417 x 791	55,79 x 31,14	55 3/4 x 31 1/8
1488	58,58	58 5/8	24	1479 x 711	58,23 x 28	58 1/4 x 28	1479 x 791	58,23 x 31,14	58 1/4 x 31 1/8
1984	78,11	78 1/8	32	1975 x 711	77,76 x 28	77 3/4 x 28	1975 x 791	77,76 x 31,14	77 3/4 x 31 1/8
2418	95,20	95 3/16	39	2409 x 711	94,84 x 28	94 13/16 x 28	2409 x 791	94,84 x 31,14	94 13/16 x 31 1/8
2480	97,64	97 5/8	40	2471 x 711	97,28 x 28	97 1/4 x 28	2471 x 791	97,28 x 31,14	97 1/4 x 31 1/8
2976	117,17	117 3/16	48	2967 x 711	116,81 x 28	116 13/16 x 28	2967 x 791	116,81 x 31,14	116 13/16 x 31 1/8

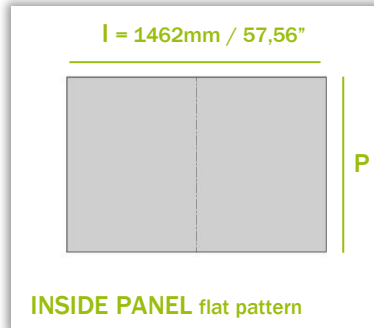


HOW TO DETERMINE PANEL SIZES for DMK CURVED FRAMES 888 0992 ++++

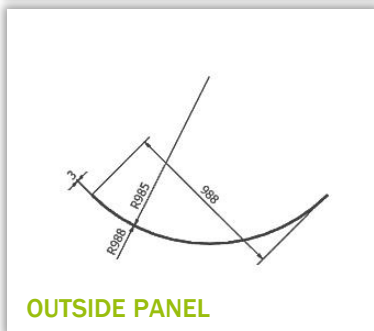
GENERAL INFO & CROSS REFERENCE CHART



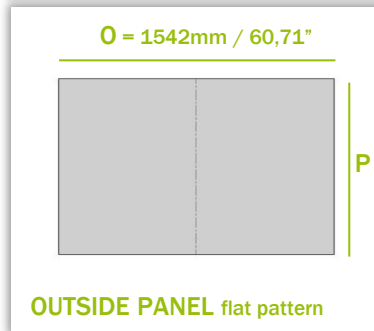
INSIDE PANEL



INSIDE PANEL flat pattern



OUTSIDE PANEL



OUTSIDE PANEL flat pattern

Mount panel with velcro.

Ideal panel thickness is 3mm/0,12inch, so it doesn't become wider than 55mm/2,17inch, which is the width of the frame.

Thickness of velcro (hook + loop) is $\pm 3\text{mm}/0,12\text{inch}$.

Panel size is 7mm/0,28inch smaller than frame size.

To be sawn up at room temperature ($18^\circ - 25^\circ$).

Panel size:

INSIDE PANEL **I**: 1462mm/57,56" x frame size **F** - 7mm/0,28"

OUTSIDE PANEL **O**: 1542mm/60,71" x frame size **F** - 7mm/0,28"

See Cross reference chart

Do not use plexi, due to large coefficient of expansion ... or use larger tolerances

Sizes are indicative and must be approved by the customer.



HOW TO DETERMINE PANEL SIZES for DMK CURVED FRAMES 888 0992 +++++

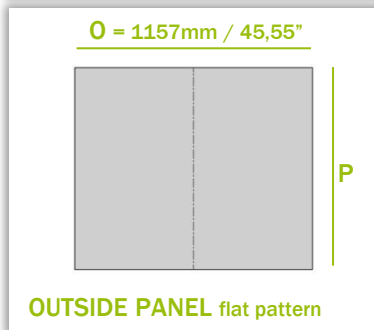
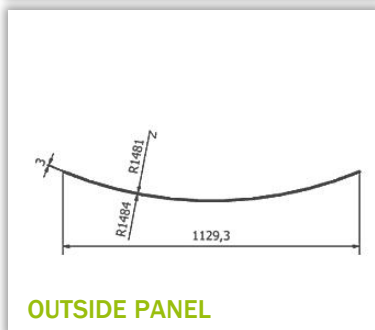
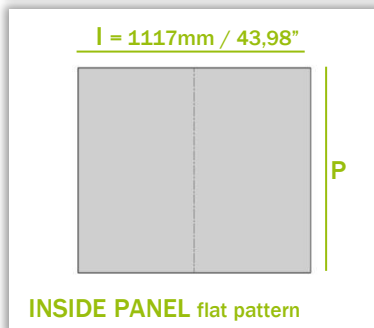
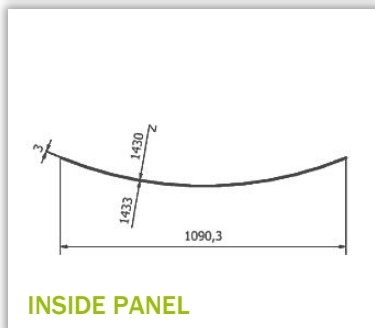
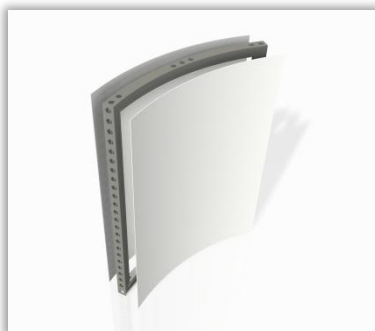
GENERAL INFO & CROSS REFERENCE CHART

FRAME DIMENSION (F)				INSIDE PANEL DIMENSION (P x I)			OUTSIDE PANEL DIMENSION (P * O)		
mm	inch	fractional	# of holes	mm	inch	fractional	mm	inch	fractional
434	17,09	17 1/16	7	427 x 1462	16,81 x 57,56	16 3/4 x 57 1/2	427 x 1542	16,81 x 60,71	16 3/4 x 60 3/4
496	19,53	19 1/2	8	489 x 1462	19,25 x 57,56	19 1/4 x 57 1/2	489 x 1542	19,24 x 60,71	19 1/4 x 60 3/4
744	29,29	29 5/16	12	737 x 1462	29,02 x 57,56	29 x 57 1/2	737 x 1542	29,02 x 60,71	29 x 60 3/4
992	39,06	39 1/16	16	985 x 1462	38,78 x 57,56	38 3/4 x 57 1/2	985 x 1542	38,78 x 60,71	38 3/4 x 60 3/4
1426	56,14	56 1/8	23	1419 x 1462	55,87 x 57,56	55 7/8 x 57 1/2	1419 x 1542	55,87 x 60,71	55 7/8 x 60 3/4
1488	58,58	58 5/8	24	1481 x 1462	58,31 x 57,56	58 1/4 x 57 1/2	1481 x 1542	58,31 x 60,71	58 1/4 x 60 3/4
1984	78,11	78 1/8	32	1977 x 1462	77,83 x 57,56	77 7/8 x 57 1/2	1977 x 1542	77,83 x 60,71	77 7/8 x 60 3/4
2418	95,20	95 3/16	39	2411 x 1462	94,92 x 57,56	94 15/16 x 57 1/2	2411 x 1542	94,92 x 60,71	94 15/16 x 60 3/4
2480	97,64	97 5/8	40	2473 x 1462	97,36 x 57,56	97 3/8 x 57 1/2	2473 x 1542	97,36 x 60,71	97 3/8 x 60 3/4
2976	117,17	117 3/16	48	2969 x 1462	116,89 x 57,56	116 7/8 x 57 1/2	2969 x 1542	116,89 x 60,71	116 7/8 x 60 3/4



HOW TO DETERMINE PANEL SIZES for DMK CURVED FRAMES 921 1166 ++++

GENERAL INFO & CROSS REFERENCE CHART



Mount panel with velcro.

Ideal panel thickness is 3mm/0,12inch, so it doesn't become wider than 55mm/2,17inch, which is the width of the frame.

Thickness of velcro (hook + loop) is $\pm 3\text{mm}/0,12\text{inch}$.

Panel size is 7mm/0,27inch smaller than frame size.

To be sawn up at room temperature ($18^\circ - 25^\circ$).

Panelsize:

INSIDE PANEL I: 1117mm/43,98" x frame size **F** - 7mm/0,28"

OUTSIDE PANEL O: 1157mm/45,55" x frame size **F** - 7mm/0,28"

See Cross reference chart

Do not use plexi, due to large coefficient of expansion ... or use larger tolerances

Sizes are indicative and must be approved by the customer.



HOW TO DETERMINE PANEL SIZES for DMK CURVED FRAMES 921 1166 ++++

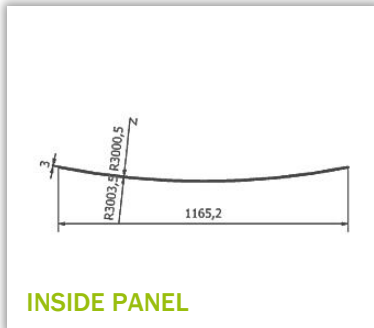
GENERAL INFO & CROSS REFERENCE CHART

FRAME DIMENSION (F)				INSIDE PANEL DIMENSION (P x I)			OUTSIDE PANEL DIMENSION (P * O)		
mm	inch	fractional	# of holes	mm	inch	fractional	mm	inch	fractional
434	17,09	17 1/16	7	427 x 1116	16,81 x 43,98	16 3/4 x 44	427 x 1161	16,81 x 45,55	16 3/4 x 45 1/4
496	19,53	19 1/2	8	489 x 1116	19,25 x 43,98	19 1/4 x 44	489 x 1161	19,25 x 45,55	19 1/4 x 45 1/4
744	29,29	29 5/16	12	737 x 1116	29,02 x 43,98	29 x 44	737 x 1161	29,02 x 45,55	29 x 45 1/4
992	39,06	39 1/16	16	985 x 1116	38,78 x 43,98	38 3/4 x 44	985 x 1161	38,78 x 45,55	38 3/4 x 45 1/4
1426	56,14	56 1/8	23	1419 x 1116	55,87 x 43,98	55 7/8 x 44	1419 x 1161	55,87 x 45,55	55 7/8 x 45 1/4
1488	58,58	58 5/8	24	1481 x 1116	58,31 x 43,98	58 1/4 x 44	1481 x 1161	58,31 x 45,55	58 1/4 x 45 1/4
1984	78,11	78 1/8	32	1978 x 1116	77,83 x 43,98	77 7/8 x 44	1977 x 1161	77,83 x 45,55	77 7/8 x 45 1/4
2418	95,20	95 3/16	39	2411 x 1116	94,92 x 43,98	94 x 15/16 44	2411 x 1161	94,92 x 45,55	94 5/16 x 45 1/4
2480	97,64	97 5/8	40	2473 x 1116	97,36 x 43,98	97 3/8 x 44	2473 x 1161	97,36 x 45,55	97 3/8 x 45 1/4
2976	117,17	117 3/16	48	2969 x 1116	116,89 x 43,98	116 7/8 x 44	2969 x 1161	116,89 x 45,55	116 7/8 x 45 1/4

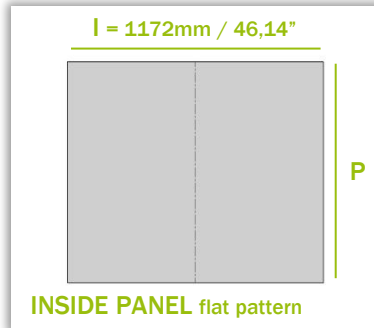


HOW TO DETERMINE PANEL SIZES for DMK CURVED FRAMES 916 1196 ++++

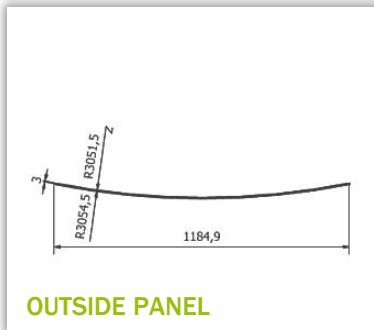
GENERAL INFO & CROSS REFERENCE CHART



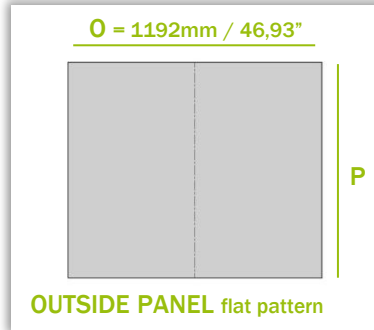
INSIDE PANEL



INSIDE PANEL flat pattern



OUTSIDE PANEL



OUTSIDE PANEL flat pattern

Mount panel with velcro.

Ideal panel thickness is 3mm/0,12inch, so it doesn't become wider than 55mm/2,17inch, which is the width of the frame.

Thickness of velcro (hook + loop) is $\pm 3\text{mm}/0,12\text{inch}$.

Panel size is 7mm/0,28inch smaller than frame size.

To be sawn up at room temperature ($18^\circ - 25^\circ$).

Panelsize:

INSIDE PANEL **I**: 1172mm/46,14" x frame size **F** - 7mm/0,28"

OUTSIDE PANEL **O**: 1192mm/46,93" x frame size **F** - 7mm/0,28"

See Cross reference chart

Do not use plexi, due to large coefficient of expansion ... or use larger tolerances

Sizes are indicative and must be approved by the customer.



HOW TO DETERMINE PANEL SIZES for DMK CURVED FRAMES 916 1196 ++++

GENERAL INFO & CROSS REFERENCE CHART

FRAME DIMENSION (F)				INSIDE PANEL DIMENSION (P x I)			OUTSIDE PANEL DIMENSION (P * O)		
mm	inch	fractional	# of holes	mm	inch	fractional	mm	inch	fractional
434	17,09	17 1/16	7	427 x 1172	16,81 x 46,14	16 3/4 x 46 1/8	428 x 1192	16,81 x 46,93	16 3/4 x 46 7/8
496	19,53	19 1/2	8	489 x 1172	19,25 x 46,14	19 1/4 x 46 1/8	490 x 1192	19,25 x 46,93	19 1/4 x 46 7/8
744	29,29	29 5/16	12	737 x 1172	29,02 x 46,14	29 x 46 1/8	738 x 1192	29,02 x 46,93	29 x 46 7/8
992	39,06	39 1/16	16	985 x 1172	38,78 x 46,14	38 3/4 x 46 1/8	986 x 1192	38,78 x 46,93	38 3/4 x 46 7/8
1426	56,14	56 1/8	23	1419 x 1172	55,87 x 46,14	55 7/8 x 46 1/8	1420 x 1192	55,87 x 46,93	55 7/8 x 46 7/8
1488	58,58	58 5/8	24	1481 x 1172	58,31 x 46,14	58 1/4 x 46 1/8	1482 x 1192	58,31 x 46,93	58 1/4 x 46 7/8
1984	78,11	78 1/8	32	1977 x 1172	77,83 x 46,14	77 7/8 x 46 1/8	1978 x 1192	77,83 x 46,93	77 7/8 x 46 7/8
2418	95,20	95 3/16	39	2411 x 1172	94,92 x 46,14	94 15/16 x 46 1/8	2412 x 1192	94,92 x 46,93	94 15/16 x 46 7/8
2480	97,64	97 5/8	40	2473 x 1172	97,36 x 46,14	97 3/8 x 46 1/8	2474 x 1192	97,36 x 46,93	97 3/8 x 46 7/8
2976	117,17	117 3/16	48	2969 x 1172	116,89 x 46,14	116 7/8 x 46 1/8	2970 x 1192	116,89 x 46,93	116 7/8 x 46 7/8

