

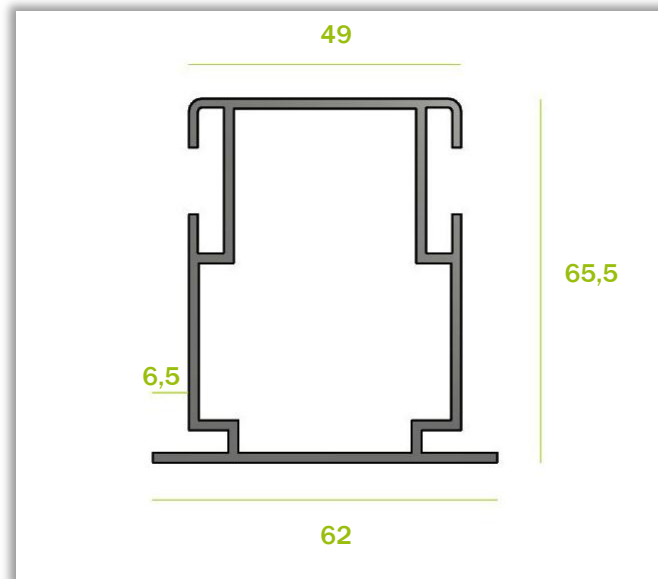
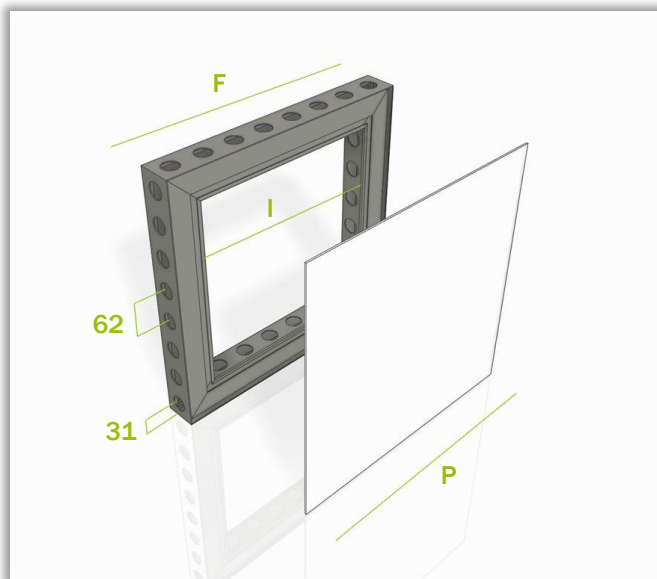
HOW TO DETERMINE PANEL SIZES for b62 & DMK STRAIGHT FRAMES

GENERAL INFO & CROSS REFERENCE CHART



HOW TO DETERMINE PANEL SIZES for b62 & DMK STRAIGHT FRAMES

GENERAL INFO & CROSS REFERENCE CHART



Mount panel with velcro.

Ideal panel thickness is 3mm/0,12inch, so it doesn't become wider than 62mm/2,44inch, which is the width of the frame.

Thickness of velcro (hook + loop) is $\pm 3\text{mm}/0,12\text{inch}$.

Panel size is 6mm/0,24inch smaller than frame size.

To be sawn up at room temperature ($18^\circ - 25^\circ$).

Frame size: **F**

Panel size: **P**

Inside frame dimension: **I**

See Cross reference chart



HOW TO DETERMINE PANEL SIZES for b62 & DMK STRAIGHT FRAMES

GENERAL INFO & CROSS REFERENCE CHART

FRAME DIMENSION (F)				INFILL PANEL DIMENSION (P)			INSIDE FRAME DIMENSION (I)		
<i>mm</i>	<i>inch</i>	<i>fractional</i>	<i># of holes</i>	<i>mm</i>	<i>inch</i>	<i>fractional</i>	<i>mm</i>	<i>inch</i>	<i>fractional</i>
434	17,09	17 1/16	7	428	16,85	16 7/8	303	11,93	11 15/16
496	19,53	19 1/2	8	490	19,29	19 5/16	365	14,37	14 3/8
744	29,29	29 5/16	12	738	29,06	29 1/16	613	24,13	24 1/8
992	39,06	39 1/16	16	986	38,82	38 13/16	861	33,90	33 7/8
1426	56,14	56 1/8	23	1420	55,91	55 7/8	1295	50,98	51
1488	58,58	58 5/8	24	1482	58,35	58 3/8	1357	53,43	53 7/16
1984	78,11	78 1/8	32	1978	77,87	77 7/8	1853	72,95	72 15/16
2418	95,20	95 3/16	39	2412	94,96	94 15/16	2287	90,04	90 1/16
2480	97,64	97 5/8	40	2474	97,40	97 3/8	2349	92,48	92 1/2
2976	117,17	117 3/16	48	2970	116,93	116 15/16	2845	112,01	112

