

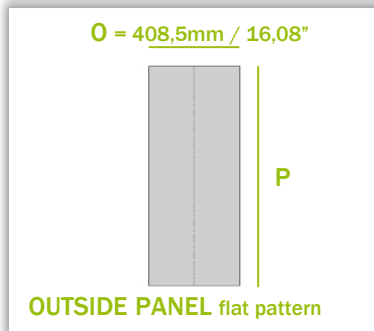
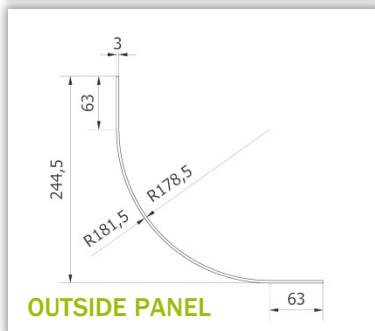
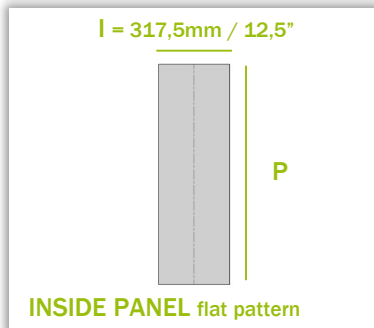
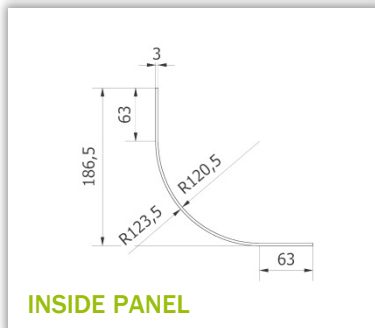
HOW TO DETERMINE PANEL SIZES for b62 CURVED FRAMES

GENERAL INFO & CROSS REFERENCE CHART



HOW TO DETERMINE PANEL SIZES for b62 CURVED FRAMES 688 0248 +++++

GENERAL INFO & CROSS REFERENCE CHART



Mount panel with velcro.

Ideal panel thickness is 3mm/0,12inch, so it doesn't become wider than 62mm/2,44inch, which is the width of the frame.

Thickness of velcro (hook + loop) is $\pm 3\text{mm}/0,12\text{inch}$.

Panel size is 8mm/0,31inch smaller than frame size.

To be sawn up at room temperature ($18^\circ - 25^\circ$).

Panel size:

INSIDE PANEL I: 317,5mm/12,5" x frame size **F** - 8mm/0,31"

OUTSIDE PANEL O: 408,5mm/16,08" x frame size **F** - 8mm/0,31"

See Cross reference chart

Do not use plexi, due to large coefficient of expansion ... or use larger tolerances

Sizes are indicative and must be approved by the customer.



HOW TO DETERMINE PANEL SIZES for b62 CURVED FRAMES 688 0248 +++++

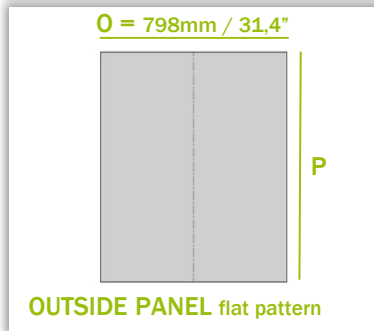
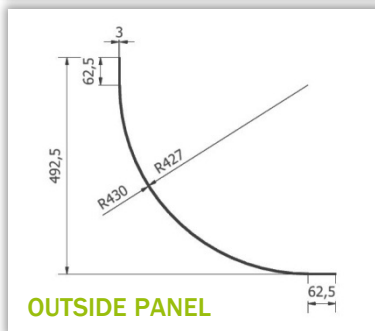
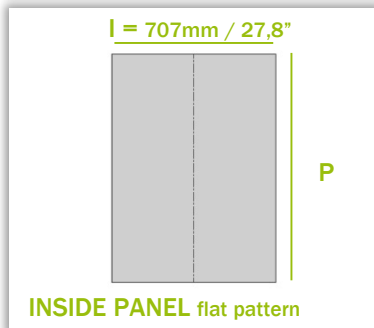
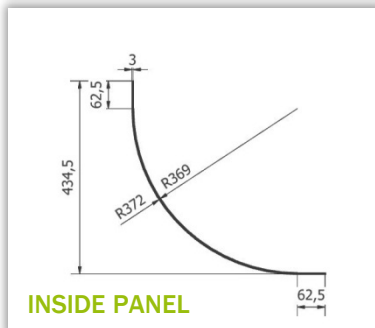
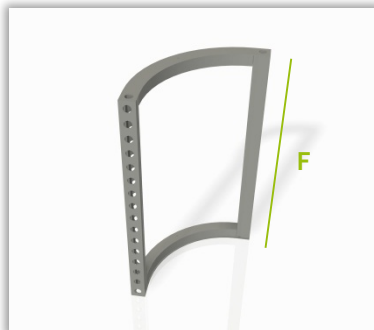
GENERAL INFO & CROSS REFERENCE CHART

FRAME DIMENSION (F)				INSIDE PANEL DIMENSION (P x I)			OUTSIDE PANEL DIMENSION (P * O)		
mm	inch	fractional	# of holes	mm	inch	fractional	mm	inch	fractional
434	17,09	17 1/16	7	426 x 317,5	16,77 x 12,50	16 3/4 x 12 1/2	426 x 408,5	16,77 x 16,08	16 3/4 x 16 1/8
496	19,53	19 1/2	8	488 x 317,5	19,21 x 12,50	19 3/16 x 12 1/2	488 x 408,5	19,21 x 16,08	19 3/16 x 16 1/8
744	29,29	29 5/16	12	736 x 317,5	28,98 x 12,50	29 x 12 1/2	736 x 408,5	28,98 x 12,50	29 x 16 1/8
992	39,06	39 1/16	16	984 x 317,5	38,74 x 12,50	38 3/4 x 12 1/2	984 x 408,5	38,74 x 16,08	38 3/4 x 16 1/8
1426	56,14	56 1/8	23	1418 x 317,5	55,83 x 12,50	55 7/8 x 12 1/2	1418 x 408,5	55,83 x 16,08	55 7/8 x 16 1/8
1488	58,58	58 5/8	24	1480 x 317,5	58,27 x 12,50	58 1/4 x 12 1/2	1480 x 408,5	58,27 x 16,08	58 1/4 x 16 1/8
1984	78,11	78 1/8	32	1976 x 317,5	77,80 x 12,50	77 3/4 x 12 1/2	1976 x 408,5	77,80 x 16,08	77 3/4 x 16 1/8
2418	95,20	95 3/16	39	2410 x 317,5	94,88 x 12,50	94 7/8 x 12 1/12	2410 x 408,5	94,88 x 16,08	94 7/8 x 16 1/8
2480	97,64	97 5/8	40	2472 x 317,5	97,32 x 12,50	97 3/8 x 12 1/2	2472 x 408,5	97,32 x 16,08	97 3/8 x 16 1/8
2976	117,17	117 3/16	48	2968 x 317,5	116,85 x 12,50	116 7/8 x 12 1/2	2968 x 408,5	116,85 x 16,08	116 7/8 x 16 1/8



HOW TO DETERMINE PANEL SIZES for b62 CURVED FRAMES 688 0496 +++++

GENERAL INFO & CROSS REFERENCE CHART



Mount panel with velcro.

Ideal panel thickness is 3mm/0,12inch, so it doesn't become wider than 62mm/2,44inch, which is the width of the frame.

Thickness of velcro (hook + loop) is $\pm 3\text{mm}/0,12\text{inch}$.

Panel size is 8mm/0,31inch smaller than frame size.

To be sawn up at room temperature ($18^\circ - 25^\circ$).

Panel size:

INSIDE PANEL I: 707mm/27,8" x frame size **F** - 8mm/0,31"

OUTSIDE PANEL O: 798mm/31,4" x frame size **F** - 8mm/0,31"

See Cross reference chart

Do not use plexi, due to large coefficient of expansion ... or use larger tolerances

Sizes are indicative and must be approved by the customer.



HOW TO DETERMINE PANEL SIZES for b62 CURVED FRAMES 688 0496++++

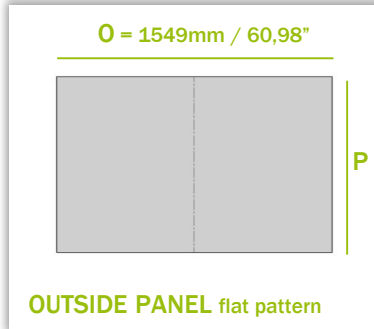
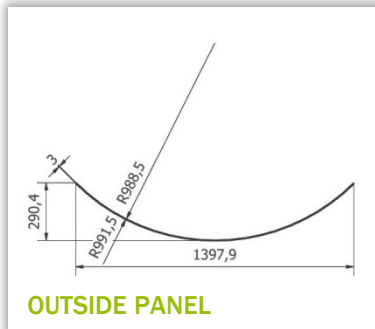
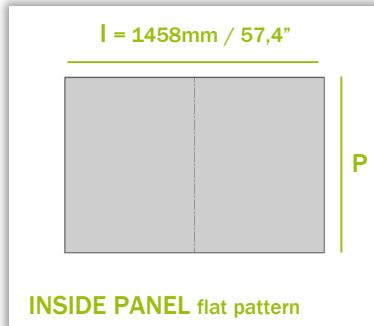
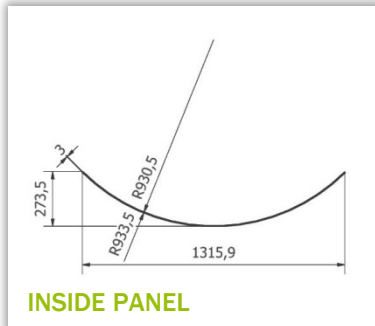
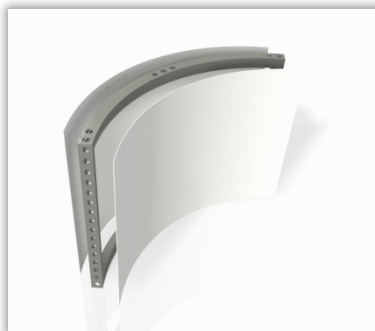
GENERAL INFO & CROSS REFERENCE CHART

FRAME DIMENSION (F)				INSIDE PANEL DIMENSION (P x I)			OUTSIDE PANEL DIMENSION (P * O)		
mm	inch	fractional	# of holes	mm	inch	fractional	mm	inch	fractional
434	17,09	17 1/16	7	426 x 707	16,77 x 27,8	16 3/4 x 27 7/8	426 x 798	16,77 x 31,4	16 3/4 x 31 3/8
496	19,53	19 1/2	8	488 x 707	19,21 x 27,8	19 3/16 x 27 7/8	488 x 798	19,21 x 31,4	19 3/16 x 31 3/8
744	29,29	29 5/16	12	736 x 707	28,98 x 27,8	29 x 27 7/8	736 x 798	28,98 x 31,4	29 x 31 3/8
992	39,06	39 1/16	16	984 x 707	38,74 x 27,8	38 3/4 x 27 7/8	984 x 798	38,74 x 31,4	38 3/4 x 31 3/8
1426	56,14	56 1/8	23	1418 x 707	55,83 x 27,8	55 7/8 x 27 7/8	1418 x 798	55,83 x 31,4	55 7/8 x 31 3/8
1488	58,58	58 5/8	24	1480 x 707	58,27 x 27,8	58 1/4 x 27 7/8	1480 x 798	58,27 x 31,4	58 1/4 x 31 3/8
1984	78,11	78 1/8	32	1976 x 707	77,80 x 27,8	77 3/4 x 27 7/8	1976 x 798	77,80 x 31,4	77 3/4 x 31 3/8
2418	95,20	95 3/16	39	2410 x 707	94,88 x 27,8	94 7/8 x 27 7/8	2410 x 798	94,88 x 31,4	94 7/8 x 31 3/8
2480	97,64	97 5/8	40	2472 x 707	97,32 x 27,8	97 3/8 x 27 7/8	2472 x 798	97,32 x 31,4	97 3/8 x 16 1/8
2976	117,17	117 3/16	48	2968 x 707	116,85 x 27,8	116 7/8 x 27 7/8	2968 x 798	116,85 x 31,4	116 7/8 x 31 3/8



HOW TO DETERMINE PANEL SIZES for b62 CURVED FRAMES 688 0992 +++++

GENERAL INFO & CROSS REFERENCE CHART



Mount panel with velcro.

Ideal panel thickness is 3mm/0,12inch, so it doesn't become wider than 62mm/2,44inch, which is the width of the frame.

Thickness of velcro (hook + loop) is $\pm 3\text{mm}/0,12\text{inch}$.

Panel size is 6mm/0,24inch smaller than frame size.

To be sawn up at room temperature ($18^\circ - 25^\circ$).

Panel size:

INSIDE PANEL I: 1458mm/57,4" x frame size **F** - 6mm/0,24"

OUTSIDE PANEL O: 1549mm/60,98" x frame size **F** - 6mm/0,24"

See Cross reference chart

Do not use plexi, due to large coefficient of expansion ... or use larger tolerances

Sizes are indicative and must be approved by the customer.



HOW TO DETERMINE PANEL SIZES for b62 CURVED FRAMES 688 0992 +++++

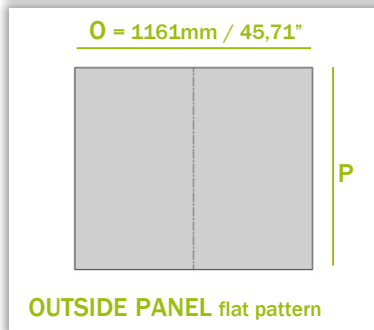
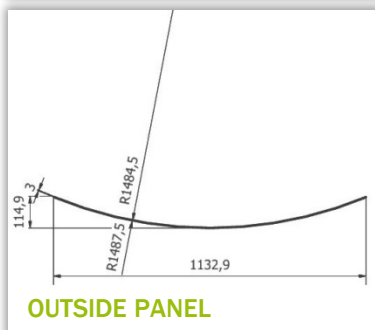
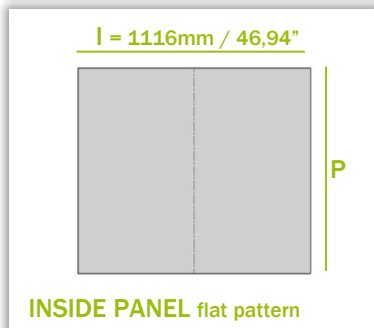
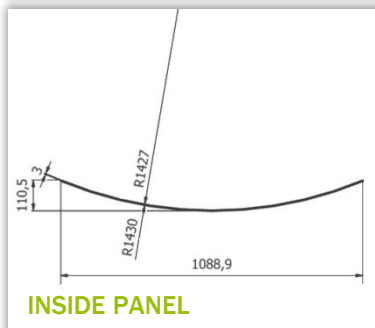
GENERAL INFO & CROSS REFERENCE CHART

FRAME DIMENSION (F)				INSIDE PANEL DIMENSION (P x I)			OUTSIDE PANEL DIMENSION (P * O)		
mm	inch	fractional	# of holes	mm	inch	fractional	mm	inch	fractional
434	17,09	17 1/16	7	428 x 1458	16,85 x 57,4	16 7/8 x 57 3/8	428 x 1549	16,85 x 60,98	16 7/8 x 61
496	19,53	19 1/2	8	490 x 1458	19,29 x 57,4	19 1/4 x 57 3/8	490 x 1549	19,29 x 60,98	19 1/4 x 61
744	29,29	29 5/16	12	738 x 1458	29,06 x 57,4	29 x 57 3/8	738 x 1549	29,06 x 60,98	29 x 61
992	39,06	39 1/16	16	986 x 1458	38,82 x 57,4	38 7/8 x 57 3/8	986 x 1549	38,82 x 60,98	38 7/8 x 61
1426	56,14	56 1/8	23	1420 x 1458	55,9 x 57,4	55 7/8 x 57 3/8	1420 x 1549	55,9 x 60,98	55 7/8 x 61
1488	58,58	58 5/8	24	1482 x 1458	58,35 x 57,4	58 3/8 x 57 3/8	1482 x 1549	58,35 x 60,98	58 3/8 x 61
1984	78,11	78 1/8	32	1978 x 1458	77,87 x 57,4	77 7/8 x 57 3/8	1978 x 1549	77,87 x 60,98	77 7/8 x 61
2418	95,20	95 3/16	39	2412 x 1458	94,96 x 57,4	95 x 57 3/8	2412 x 1549	94,96 x 60,98	95 x 61
2480	97,64	97 5/8	40	2474 x 1458	97,4 x 27,8	97 3/8 x 57 3/8	2474 x 1549	97,4 x 60,98	97 3/8 x 61
2976	117,17	117 3/16	48	2970 x 1458	116,93 x 57,4	116 7/8 x 57 3/8	2970 x 1549	116,93 x 60,98	116 7/8 x 61



HOW TO DETERMINE PANEL SIZES for b62 CURVED FRAMES 688 1488 +++++

GENERAL INFO & CROSS REFERENCE CHART



Mount panel with velcro.

Ideal panel thickness is 3mm/0,12inch, so it doesn't become wider than 62mm/2,44inch, which is the width of the frame.

Thickness of velcro (hook + loop) is $\pm 3\text{mm}/0,12\text{inch}$.

Panel size is 6mm/0,24inch smaller than frame size.

To be sawn up at room temperature ($18^\circ - 25^\circ$).

Panelsize:

INSIDE PANEL I: 1116mm/43,94" x frame size **F** - 6mm/0,24"

OUTSIDE PANEL O: 1161mm/45,71" x frame size **F** - 6mm/0,24"

See Cross reference chart

Do not use plexi, due to large coefficient of expansion ... or use larger tolerances

Sizes are indicative and must be approved by the customer.



HOW TO DETERMINE PANEL SIZES for b62 CURVED FRAMES 688 1488 +++++

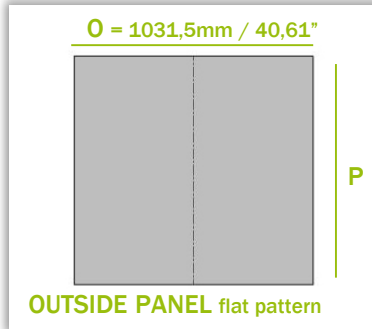
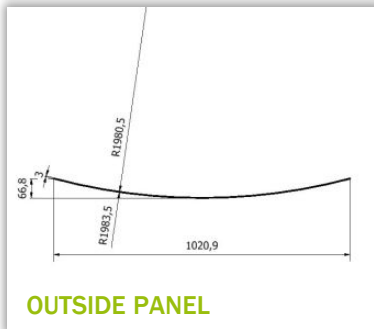
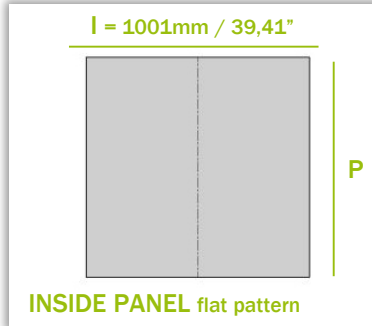
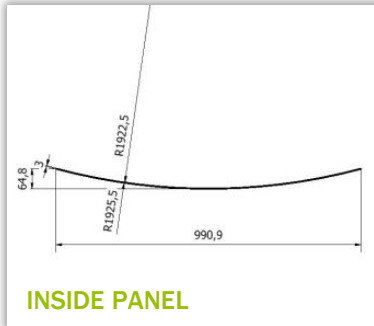
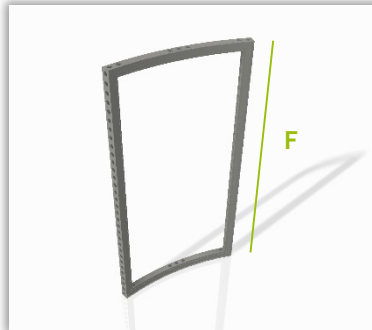
GENERAL INFO & CROSS REFERENCE CHART

FRAME DIMENSION (F)				INSIDE PANEL DIMENSION (P x I)			OUTSIDE PANEL DIMENSION (P * O)		
mm	inch	fractional	# of holes	mm	inch	fractional	mm	inch	fractional
434	17,09	17 1/16	7	428 x 1116	16,85 x 43,94	16 7/8 x 43 7/8	428 x 1161	16,85 x 45,71	16 7/8 x 45 3/4
496	19,53	19 1/2	8	490 x 1116	19,29 x 43,94	19 1/4 x 43 7/8	490 x 1161	19,29 x 45,71	19 1/4 x 45 3/4
744	29,29	29 5/16	12	738 x 1116	29,06 x 43,94	29 x 43 7/8	738 x 1161	29,06 x 45,71	29 x 45 3/4
992	39,06	39 1/16	16	986 x 1116	38,82 x 43,94	38 7/8 x 43 7/8	986 x 1161	38,82 x 45,71	38 7/8 x 45 3/4
1426	56,14	56 1/8	23	1420 x 1116	55,9 x 43,94	55 7/8 x 43 7/8	1420 x 1161	55,9 x 45,71	55 7/8 x 45 3/4
1488	58,58	58 5/8	24	1482 x 1116	58,35 x 43,94	58 3/8 x 43 7/8	1482 x 1161	58,35 x 45,71	58 3/8 x 45 3/4
1984	78,11	78 1/8	32	1978 x 1116	77,87 x 43,94	77 7/8 x 43 7/8	1978 x 1161	77,87 x 45,71	77 7/8 x 45 3/4
2418	95,20	95 3/16	39	2412 x 1116	94,96 x 43,94	95 x 43 7/8	2412 x 1161	94,96 x 45,71	95 x 45 3/4
2480	97,64	97 5/8	40	2474 x 1116	97,4 x 43,94	97 3/8 x 43 7/8	2474 x 1161	97,4 x 45,71	97 3/8 x 45 3/4
2976	117,17	117 3/16	48	2970 x 1116	116,93 x 43,94	116 7/8 x 43 7/8	2970 x 1161	116,93 x 45,71	116 7/8 x 45 3/4



HOW TO DETERMINE PANEL SIZES for b62 CURVED FRAMES 688 1984 +++++

GENERAL INFO & CROSS REFERENCE CHART



Mount panel with velcro.

Ideal panel thickness is 3mm/0,12inch, so it doesn't become wider than 62mm/2,44inch, which is the width of the frame.

Thickness of velcro (hook + loop) is $\pm 3\text{mm}/0,12\text{inch}$.

Panel size is 6mm/0,24inch smaller than frame size.

To be sawn up at room temperature ($18^\circ - 25^\circ$).

Panelsize:

INSIDE PANEL I: 1001mm/39,41" x frame size **F** - 6mm/0,24"

OUTSIDE PANEL O: 1031,5mm/40,61" x frame size **F** - 6mm/0,24"

See Cross reference chart

Do not use plexi, due to large coefficient of expansion ... or use larger tolerances

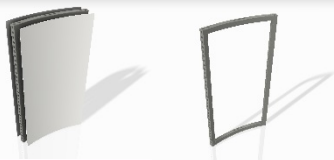
Sizes are indicative and must be approved by the customer.



HOW TO DETERMINE PANEL SIZES for b62 CURVED FRAMES 688 1984 +++++

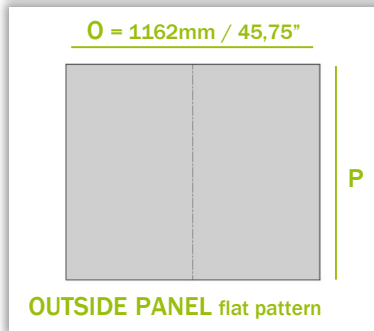
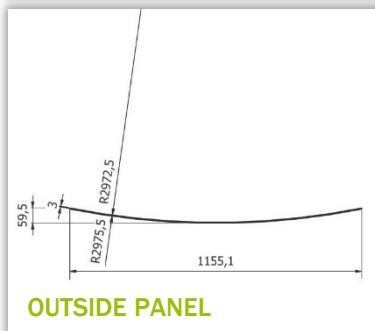
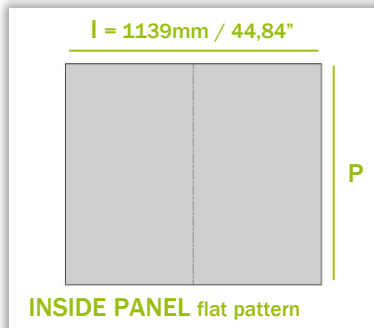
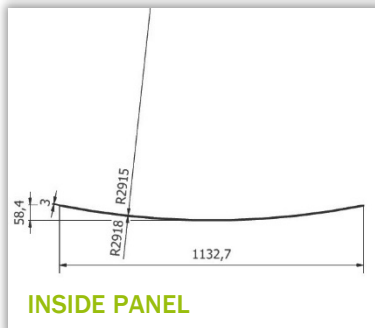
GENERAL INFO & CROSS REFERENCE CHART

FRAME DIMENSION (F)				INSIDE PANEL DIMENSION (P x I)			OUTSIDE PANEL DIMENSION (P * O)		
mm	inch	fractional	# of holes	mm	inch	fractional	mm	inch	fractional
434	17,09	17 1/16	7	428 x 1001	16,85 x 39,41	16 7/8 x 39 3/8	428 x 1031,5	16,85 x 40,61	16 7/8 x 40 5/8
496	19,53	19 1/2	8	490 x 1001	19,29 x 39,41	19 1/4 x 39 3/8	490 x 1031,5	19,29 x 40,61	19 1/4 x 40 5/8
744	29,29	29 5/16	12	738 x 1001	29,06 x 39,41	29 x 39 3/8	738 x 1031,5	29,06 x 40,61	29 x 40 5/8
992	39,06	39 1/16	16	986 x 1001	38,82 x 39,41	38 7/8 x 39 3/8	986 x 1031,5	38,82 x 40,61	38 7/8 x 40 5/8
1426	56,14	56 1/8	23	1420 x 1001	55,9 x 39,41	55 7/8 x 39 3/8	1420 x 1031,5	55,9 x 40,61	55 7/8 x 40 5/8
1488	58,58	58 5/8	24	1482 x 1001	58,35 x 39,41	58 3/8 x 39 3/8	1482 x 1031,5	58,35 x 40,61	58 3/8 x 40 5/8
1984	78,11	78 1/8	32	1978 x 1001	77,87 x 39,41	77 7/8 x 39 3/8	1978 x 1031,5	77,87 x 40,61	77 7/8 x 40 5/8
2418	95,20	95 3/16	39	2412 x 1001	94,96 x 39,41	95 x 39 3/8	2412 x 1031,5	94,96 x 40,61	95 x 40 5/8
2480	97,64	97 5/8	40	2474 x 1001	97,4 x 39,41	97 3/8 x 39 3/8	2474 x 1031,5	97,4 x 40,61	97 3/8 x 40 5/8
2976	117,17	117 3/16	48	2970 x 1001	116,93 x 39,41	116 7/8 x 39 3/8	2970 x 1031,5	116,93 x 40,61	116 7/8 x 40 5/8



HOW TO DETERMINE PANEL SIZES for b62 CURVED FRAMES 688 2976 ++++

GENERAL INFO & CROSS REFERENCE CHART



Mount panel with velcro.

Ideal panel thickness is 3mm/0,12inch, so it doesn't become wider than 62mm/2,44inch, which is the width of the frame.

Thickness of velcro (hook + loop) is $\pm 3\text{mm}/0,12\text{inch}$.

Panel size is 6mm/0,24inch smaller than frame size.

To be sawn up at room temperature ($18^\circ - 25^\circ$).

Panelsize:

INSIDE PANEL I: 1139mm/44,84" x frame size **F** - 6mm/0,24"

OUTSIDE PANEL O: 1162mm/45,75" x frame size **F** - 6mm/0,24"

See Cross reference chart

Do not use plexi, due to large coefficient of expansion ... or use larger tolerances

Sizes are indicative and must be approved by the customer.



HOW TO DETERMINE PANEL SIZES for b62 CURVED FRAMES 688 2976 ++++

GENERAL INFO & CROSS REFERENCE CHART

FRAME DIMENSION (F)				INSIDE PANEL DIMENSION (P x I)			OUTSIDE PANEL DIMENSION (P * O)		
mm	inch	fractional	# of holes	mm	inch	fractional	mm	inch	fractional
434	17,09	17 1/16	7	428 x 1139	16,85 x 44,84	16 7/8 x 44 7/8	428 x 1162	16,85 x 45,75	16 7/8 x 45 3/4
496	19,53	19 1/2	8	490 x 1139	19,29 x 44,84	19 1/4 x 44 7/8	490 x 1162	19,29 x 45,75	19 1/4 x 45 3/4
744	29,29	29 5/16	12	738 x 1139	29,06 x 44,84	29 x 44 7/8	738 x 1162	29,06 x 45,75	29 x 45 3/4
992	39,06	39 1/16	16	986 x 1139	38,82 x 44,84	38 7/8 x 44 7/8	986 x 1162	38,82 x 45,75	38 7/8 x 45 3/4
1426	56,14	56 1/8	23	1420 x 1139	55,9 x 44,84	55 7/8 x 44 7/8	1420 x 1162	55,9 x 45,75	55 7/8 x 45 3/4
1488	58,58	58 5/8	24	1482 x 1139	58,35 x 44,84	58 3/8 x 44 7/8	1482 x 1162	58,35 x 45,75	58 3/8 x 45 3/4
1984	78,11	78 1/8	32	1978 x 1139	77,87 x 44,84	77 7/8 x 44 7/8	1978 x 1162	77,87 x 45,75	77 7/8 x 45 3/4
2418	95,20	95 3/16	39	2412 x 1139	94,96 x 44,84	95 x 44 7/8	2412 x 1162	94,96 x 45,75	95 x 45 3/4
2480	97,64	97 5/8	40	2474 x 1139	97,4 x 44,84	97 3/8 x 44 7/8	2474 x 1162	97,4 x 45,75	97 3/8 x 45 3/4
2976	117,17	117 3/16	48	2970 x 1139	116,93 x 44,84	116 7/8 x 44 7/8	2970 x 1162	116,93 x 45,75	116 7/8 x 45 3/4

